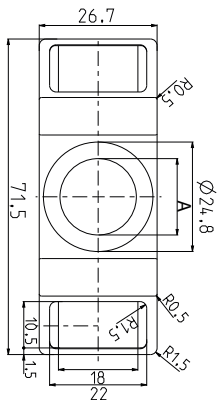
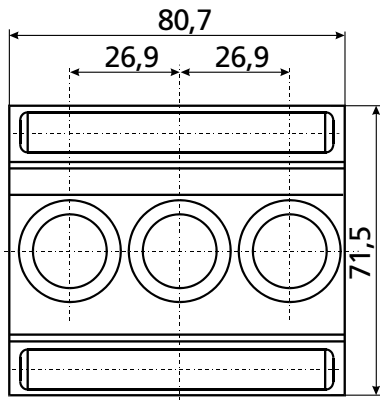


Protection cover

	A [mm]
ZP D01	17,3
ZP D02	21,1



D01, D02



D01/3, D02/3

