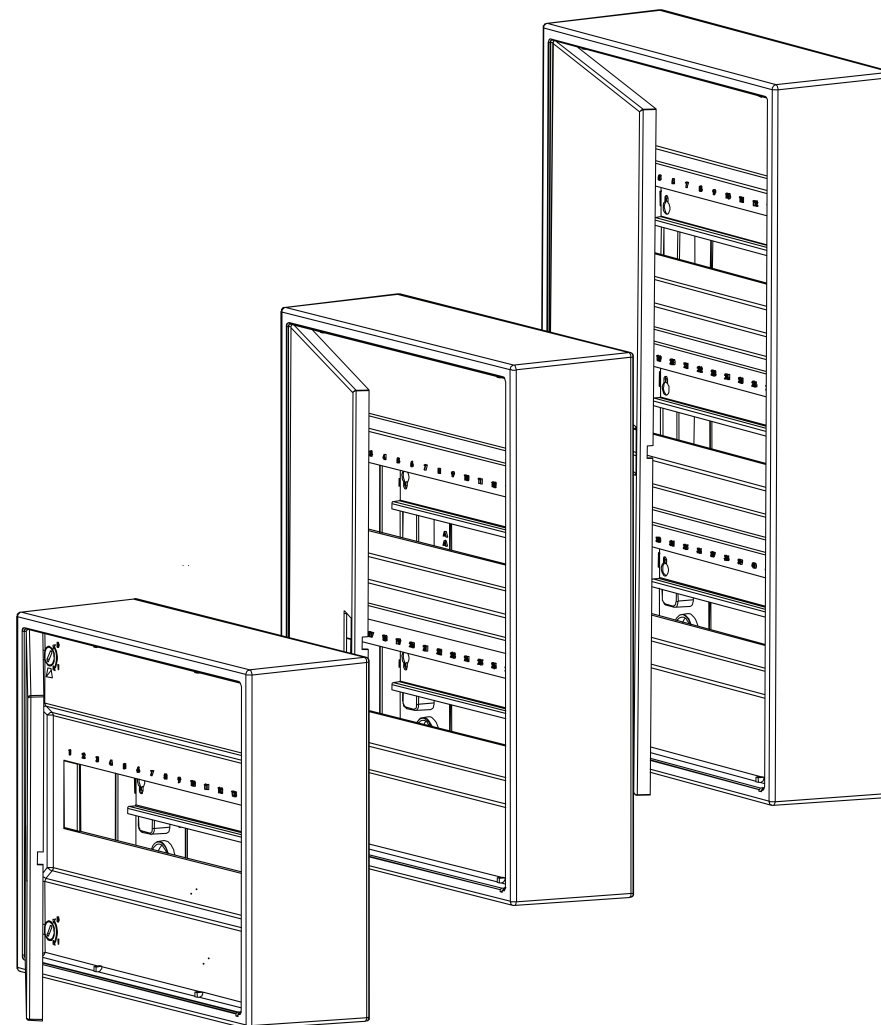
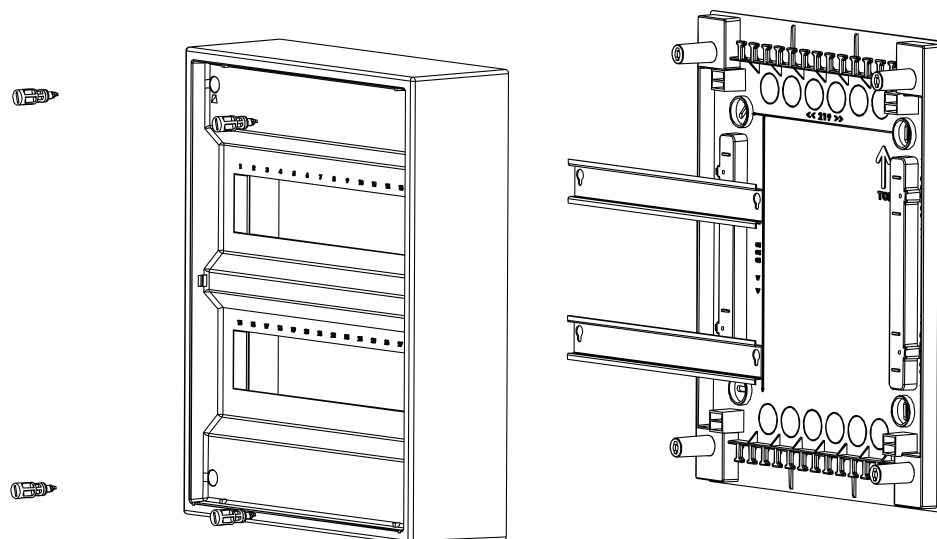


# ETI

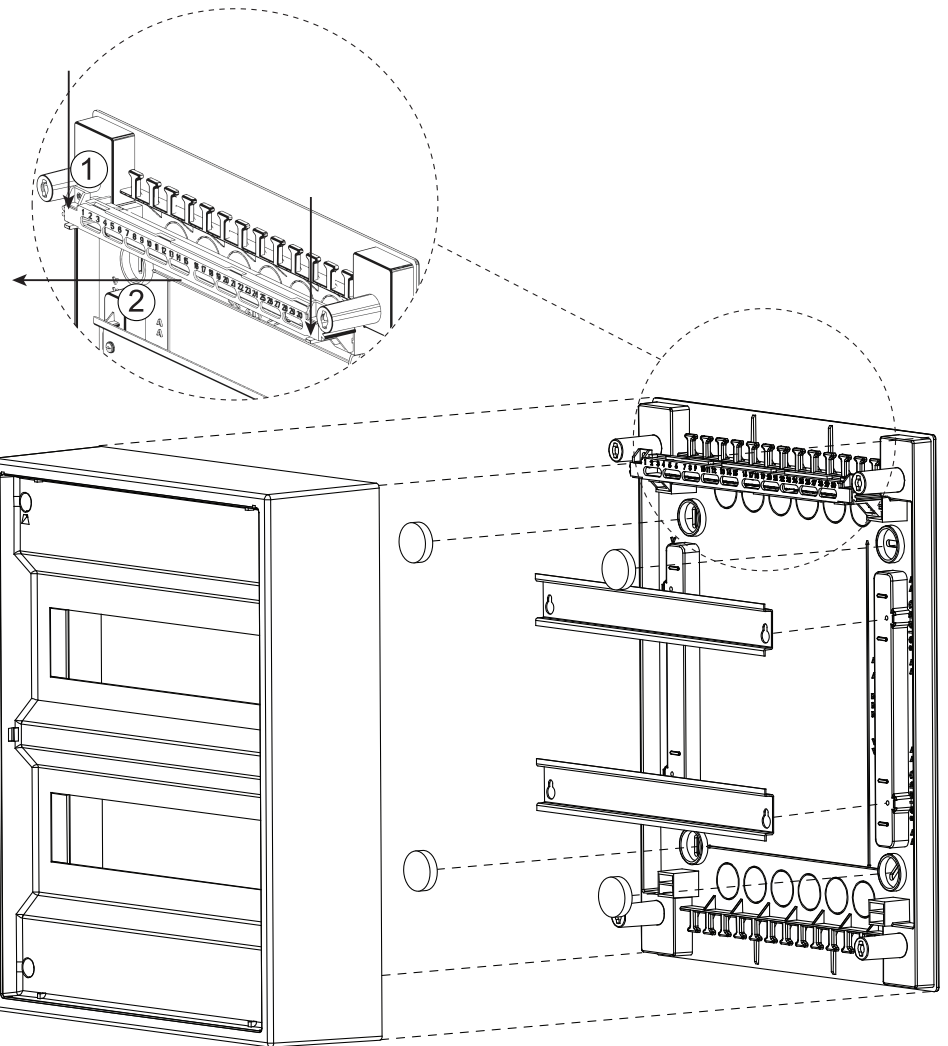
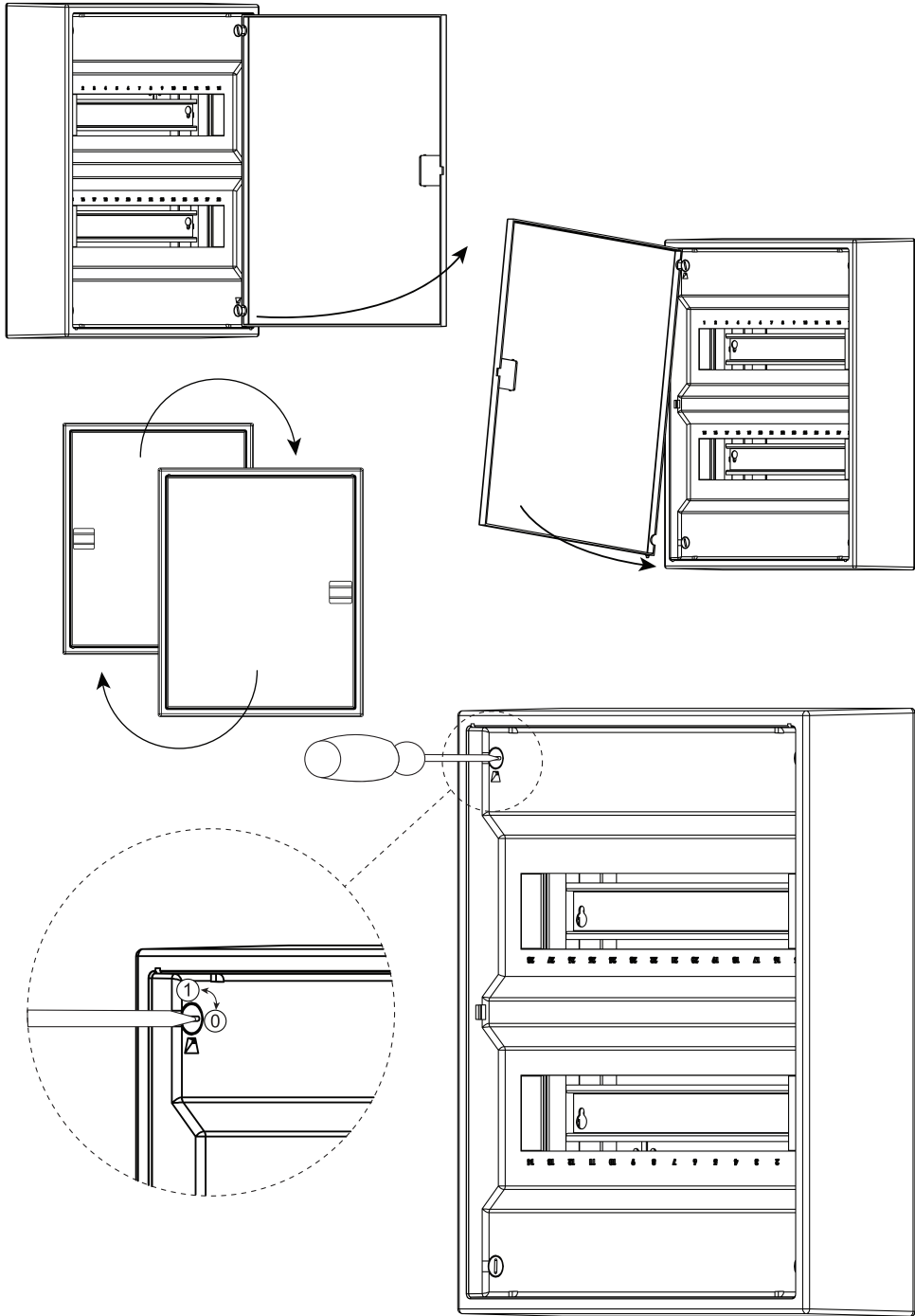
	A	B	C	D	E	Pde	Static load
ACT 12 PT/PO	51 mm	310 mm	96 mm	219 mm	97 mm	> 30 W	1820g
ACT 24 PT/PO	377 mm	310 mm	96 mm	219 mm	222 mm	> 40 W	1820g
ACT 36 PT/PO	502 mm	310 mm	96 mm	219 mm	347 mm	> 60W	1820g



For indoor locations ( $\leq 50\%$  RH at max.  $+40^{\circ}\text{C}$  or for example  $90\%$  RH at  $+20^{\circ}\text{C}$ )  
 Temperature range:  $-25^{\circ}\text{C}$  ...  $+60^{\circ}\text{C}$ , Rating Voltage AC 400 V; IP40; Class II, IK07  
 According to: IEC 60670; IEC 62208

**ETI Elektroelement d.o.o**  
**Obrezija 5**  
**1411 Izlake**  
**Slovenia**

**ETI Polam Sp.z.o.o.**  
**ul. Jana Pawła II 18**  
**06-100 Pułtusk**  
**Polska**



DIN RAIL MOUNTING

Ed.2 - 11/2020

