



SWITCH TO
A SAFE FUTURE

2024

EDS socket assemblies

Rack socket assemblies
and site switchboards

Photovoltaic assembly

Switchboard for backup circuit switching

Equipped switchboards
for monitoring level and pressure



This catalogue is only a brief overview of the range of equipped switchboards, not a complete offer. The complete offer can be found in the catalogue on the website
www.etigroup.eu/pdf-catalogs/building-and-industry



Table of Contents

EDS socket assemblies	3
EDS8 socket assemblies	4
EDS11 socket assemblies	8
EDS16 socket assemblies	13
Rack socket assemblies EDS11S	15
Rack socket assemblies and site switchboards	17
Portable switchboard RDS12SD with holder	21
Photovoltaic assembly	22
Version with plastic enclosure ECH	23
Version with polyester enclosure EPC	25
Empty polyester EPC enclosures with DIN rail panel	28
Switchboard for backup circuit switching RPO-H32-SM	29
Switchboards for level and pressure monitoring HRH-ECH and TPS-ECH	32
For 3-phase motors with protection HRH-ECH-MS-CEC	33
For 3-phase motors without protection HRH-ECH-CEC	34
For 1-phase motors with protection HRH-ECH-MS1F-CEC	35
For pressure and level switch TPS-ECH-MS-CEC	36
Sensors for monitoring relay	37

EDS socket assemblies

A range of socket assemblies of our own production under the EDS label designed for wall mounting as part of fixed installations. Heat and flame resistant cover (hot loop test for 650°C) Can be **mounted on Class A1 and A2 substrate**.

Socket switchboards are available in three versions depending by the enclosure size. These include the small **EDS8** version, medium-sized **EDS11** version and large **EDS16** version with a site switchboard variant. EDS11 and EDS16 offer the advantage of an enclosure with diagonal sockets in the bottom row.

The main advantages include:

- Proven ABS solid plastic enclosures in a compact form for direct wall mounting.
- All sockets are pre-connected to the respective circuit breakers and N/PE bridges. Just connect the power supply line to the terminal strip and secure it with a clip against pull-out.
- All versions may be fitted with a 2m supply cable and a five-pole plug.

The enclosures are fitted with ETIMAT B and C type circuit breakers with a short-circuit resistance of 10kA. In case of the current protected version, the A type version also responds to the DC component of the current.

The power supply line must be connected by a properly qualified person.



Based on your individual requirements, it is possible to make a custom configuration within the limits set by the enclosure.

EDS8 socket assemblies

Completely pre-wired enclosure with sockets and circuit breakers with 10kA short-circuit resistance. In RCD version with A-type protection.

Small enclosure 260x190x106mm, installation to prepared fixing holes inside the enclosure.

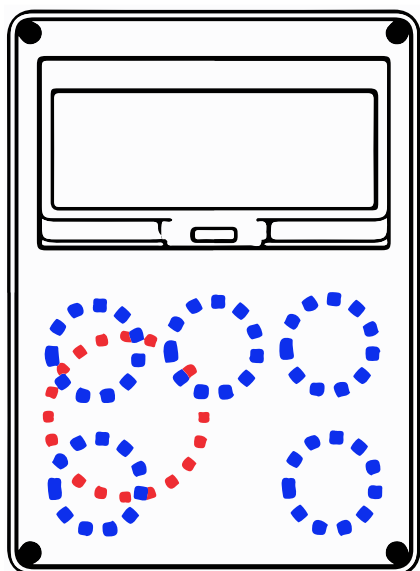
Fitted with 250V sockets with ground pin or SCHUKO. The 250V sockets are rotated by 90° for trouble-free use of angled plugs

Five-pole CEE 400V socket with 16A and 32A ratings

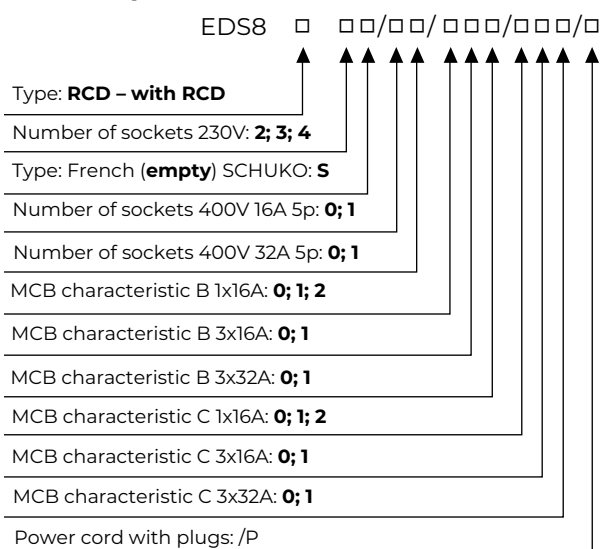


- Compliant to standard: *EN 61439-3*
- Mechanical resistance of enclosure: *IK10*
- Protection level: *IP44*
- Material: *ABS*
- Operating temperature: *-25 °C to +55 °C*
- Rated working voltage: *400VAC, 250VAC, 50/60Hz*

A gland is included for cable output and a clamping clip is provided to prevent the supply line from being pulled out.



Example: EDS8 RCD 2 /10/110/000



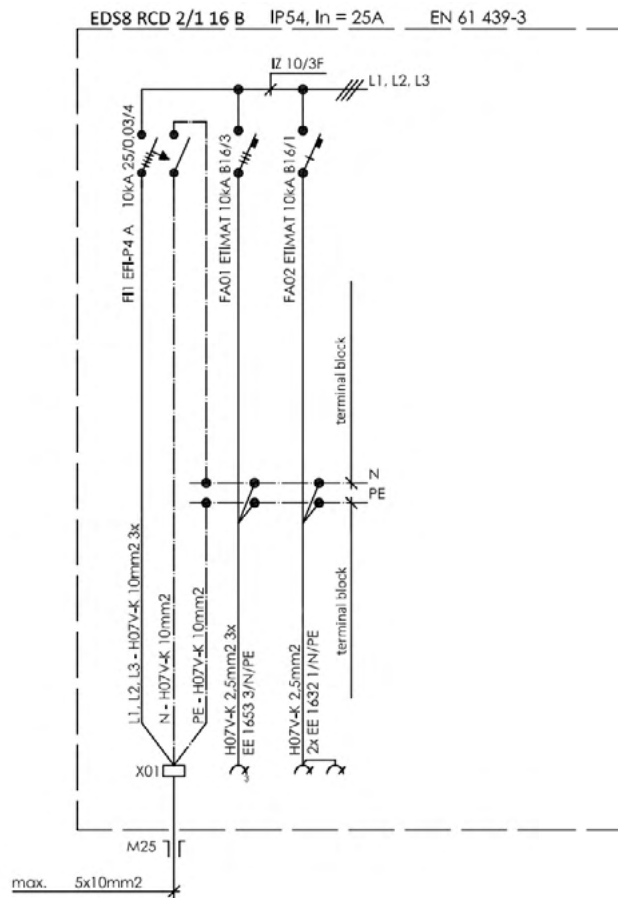
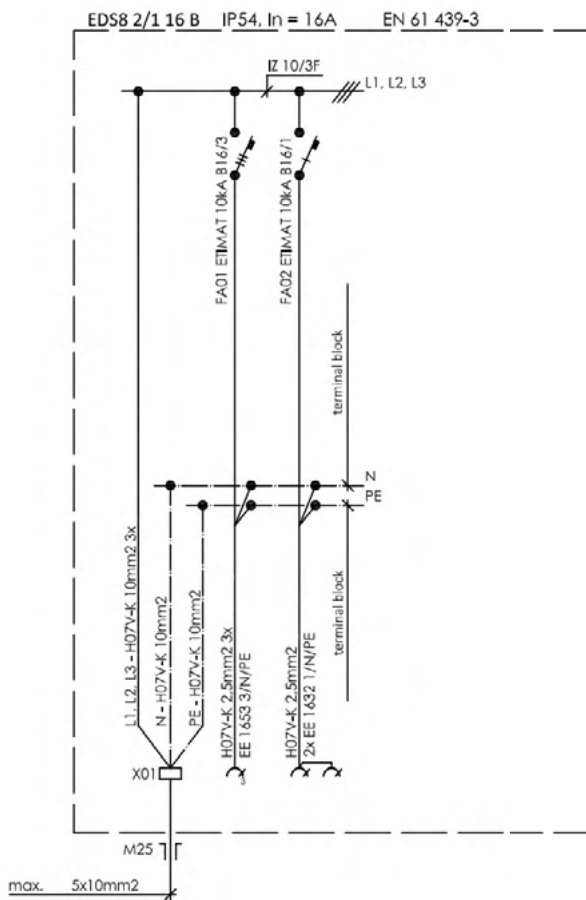
On request, it can be made with a 2m supply cable and a 16 or 32A 5p plug based on the switchboard rated current (variant /P).

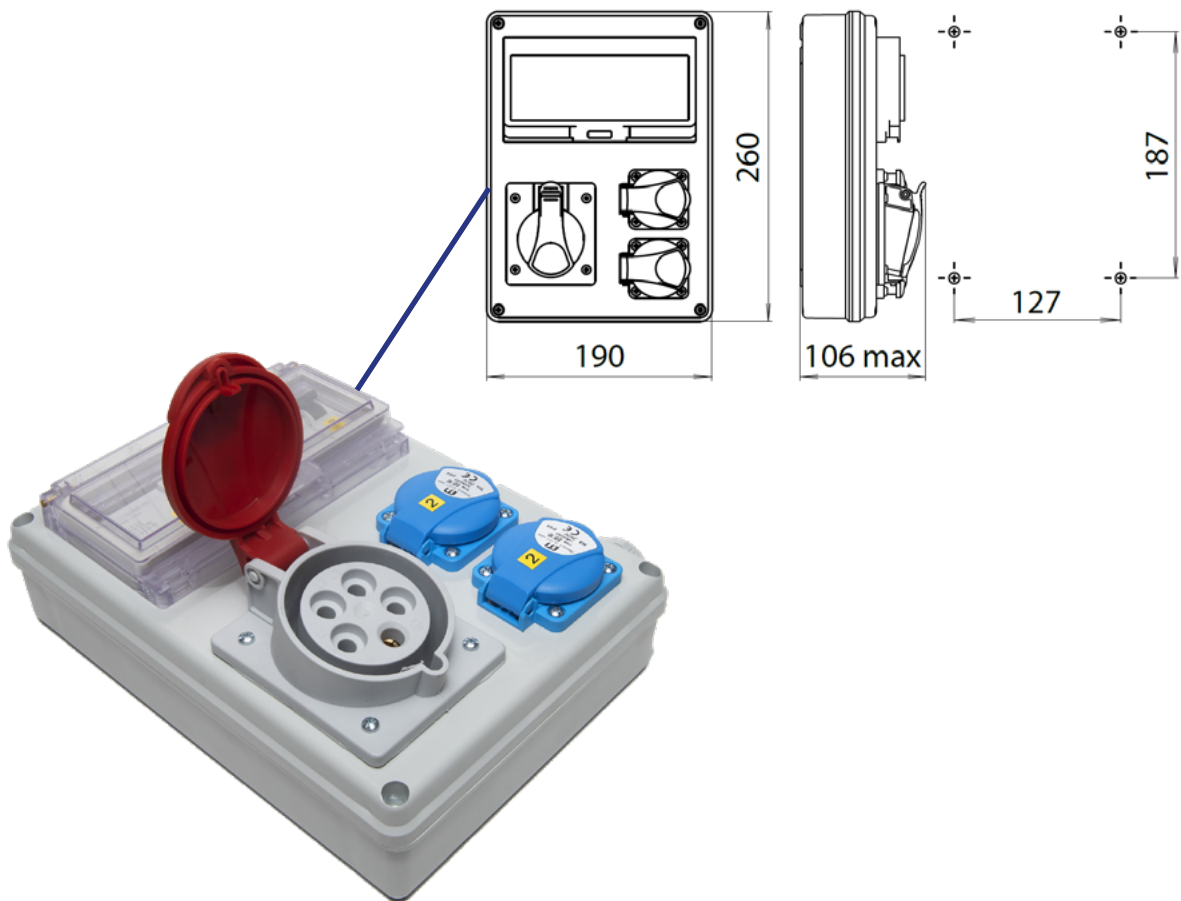
Select of typical version with RCD, sockets 250V SCHUKO						Sockets 250V 2P+T	Sockets 400V (A)		MCB characteristic B (A)			MCB characteristic C (A)		
Order code	Name	Assembly	MCB char.	InA (A)	Production key		16	32	1x16	3x16	3x32	1x16	3x16	3x32
001105208	EDS8 RCD 2S/1 16 B		B	32	EDS8 RCD 2S/10/110/000	2	1	1	1					
001105209	EDS8 RCD 2S/1 16 B+C		B+C		EDS8 RCD 2S/10/100/010	2	1		1				1	
001105210	EDS8 RCD 2S/1 16 C		C		EDS8 RCD 2S/10/000/110	2	1						1	1
001105211	EDS8 RCD 2S/1 32 B		B	32	EDS8 RCD 2S/01/101/000	2		1	1		1			
001105212	EDS8 RCD 2S/1 32 B+C		B+C		EDS8 RCD 2S/01/100/001	2		1	1					1
001105213	EDS8 RCD 2S/1 32 C		C		EDS8 RCD 2S/01/000/101	2		1					1	1
001105214	EDS8 RCD 3S B		B	16	EDS8 RCD 3S/00/200/000	3			2					
001105215	EDS8 RCD 3S C		C		EDS8 RCD 3S/00/000/200	3							2	
001105216	EDS8 RCD 4S B		B	16	EDS8 RCD 4S/00/200/000	4			2					
001105217	EDS8 RCD 4S C		C		EDS8 RCD 4S/00/000/200	4							2	

Select of typical version with RCD, sockets 250V with ground pin						Sockets 250V 2P+T	Sockets 400V (A)		MCB characteristic B (A)			MCB characteristic C (A)		
Order code	Name	Assembly	MCB char.	InA (A)	Production key		16	32	1x16	3x16	3x32	1x16	3x16	3x32
001105411	EDS8 RCD 2/1 16 B		B	32	EDS8 RCD 2/10/110/000	2	1	1	1					
001105200	EDS8 RCD 2/1 16 B+C		B+C		EDS8 RCD 2/10/100/010	2	1		1				1	
001105201	EDS8 RCD 2/1 16 C		C		EDS8 RCD 2/10/000/110	2	1						1	1
001105413	EDS8 RCD 2/1 32 B		B	32	EDS8 RCD 2/01/101/000	2		1	1		1			
001105202	EDS8 RCD 2/1 32 B+C		B+C		EDS8 RCD 2/01/100/001	2		1	1					1
001105203	EDS8 RCD 2/1 32 C		C		EDS8 RCD 2/01/000/101	2		1					1	1
001105204	EDS8 RCD 3 B		B	16	EDS8 RCD 3/00/200/000	3			2					
001105205	EDS8 RCD 3 C		C		EDS8 RCD 3/00/000/200	3							2	
001105206	EDS8 RCD 4 B		B	16	EDS8 RCD 4/00/200/000	4			2					
001105207	EDS8 RCD 4 C		C		EDS8 RCD 4/00/000/200	4							2	

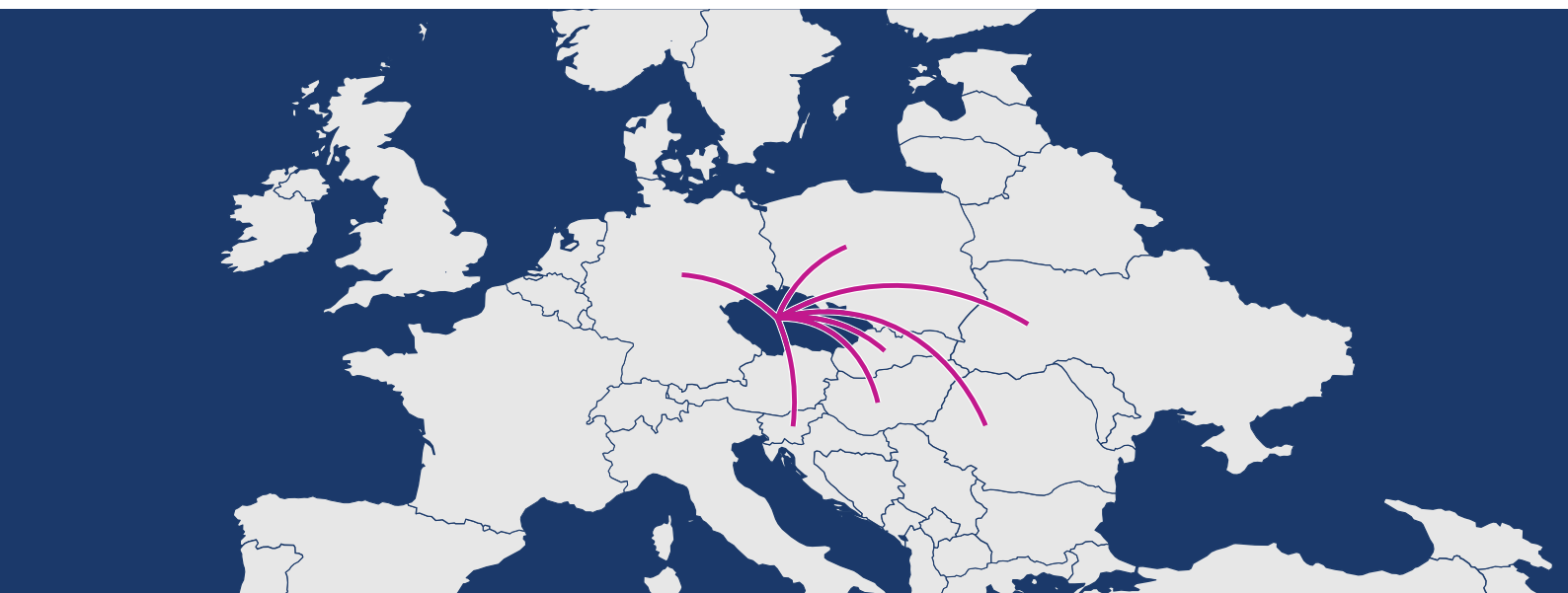
Select of typical version without RCD, sockets 250V SCHUKO						Sockets 250V 2P+T	Sockets 400V (A)		MCB characteristic B (A)			MCB characteristic C (A)		
Order code	Name	Assembly	MCB char.	InA (A)	Production key		16	32	1x16	3x16	3x32	1x16	3x16	3x32
001105226	EDS8 2S/1 16 B		B	32	EDS8 2S/10/110/000	2	1	1	1					
001105227	EDS8 2S/1 16 B+C		B+C		EDS8 2S/10/100/010	2	1		1				1	
001105228	EDS8 2S/1 16 C		C		EDS8 2S/10/000/110	2	1						1	1
001105229	EDS8 2S/1 32 B		B	32	EDS8 2S/01/101/000	2		1	1		1			
001105230	EDS8 2S/1 32 B+C		B+C		EDS8 2S/01/100/001	2		1	1					1
001105231	EDS8 2S/1 32 C		C		EDS8 2S/01/000/101	2		1					1	1
001105232	EDS8 3S B		B	16	EDS8 3S/00/000/100	3						1		
001105233	EDS8 3S C		C		EDS8 3S/00/000/100	3							1	
001105234	EDS8 4S B		B	16	EDS8 4S/00/000/200	4						2		
001105235	EDS8 4S C		C		EDS8 4S/00/000/200	4							2	

Select of typical version without RCD, sockets 250V with ground pin						Sockets 400V (A)		MCB characteristic B (A)			MCB characteristic C (A)		
Ordercode	Name	Assembly	MCB char.	InA (A)	Production key	Sockets 250V 2P+T		1x16	3x16	3x32	1x16	3x16	3x32
						16	32						
001105410	EDS8 2/1 16 B		B	32	EDS8 2/10/110/000	2	1	1	1				
001105218	EDS8 2/1 16 B+C		B+C		EDS8 2/10/100/010	2	1	1				1	
001105219	EDS8 2/1 16 C		C		EDS8 2/10/000/110	2	1				1	1	
001105412	EDS8 2/1 32 B		B	32	EDS8 2/01/101/000	2		1	1	1			
001105220	EDS8 2/1 32 B+C		B+C		EDS8 2/01/100/001	2		1	1				1
001105221	EDS8 2/1 32 C		C		EDS8 2/01/000/101	2		1			1		1
001105222	EDS8 3 B		B	16	EDS8 3/00/200/000	3			2				
001105223	EDS8 3 C		C		EDS8 3/00/000/200	3						2	
001105224	EDS8 4 B		B	16	EDS8 4/00/200/000	4			2				
001105225	EDS8 4 C		C		EDS8 4/00/000/200	4						2	





Made in **Czechia**,
trusted in **Europe**.



EDS11 socket assemblies

Complete enclosure with sockets, circuit breakers, 10kA short-circuit resistant circuit breakers and, in the RCD version, an A-type protection.

Medium enclosure size of 343x241x163mm, wall mounting using fixing holes on external corners of the enclosure (hole spacing 220x324mm) or on a rack (variant EDS11S)

Fitted with 250V sockets with ground pin or SCHUKO.

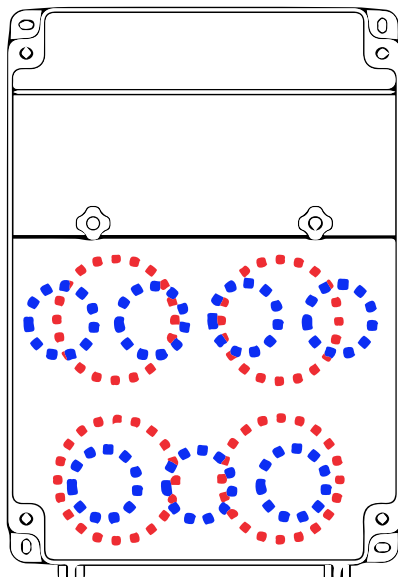
Five-pole CEE 400V sockets with 16A and 32A rating

- Rated working voltage: 400VAC, 250VAC, 50/60Hz
- Compliant to standard: EN 61439-3
- Mechanical resistance of the enclosure: IK10
- Protection level: IP54
- Material: ABS
- Operating temperature: -25 to +55°C

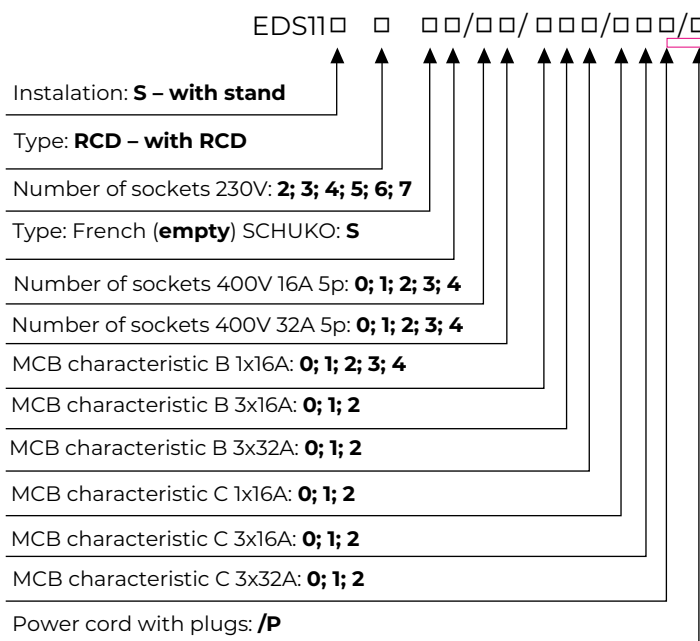


Preformed holes for cable glands:

on the top: 2x M25/M32
on the bottom and back side: 1x M25/M32



Example: EDS11 RCD 4 /11/11/0 0 0



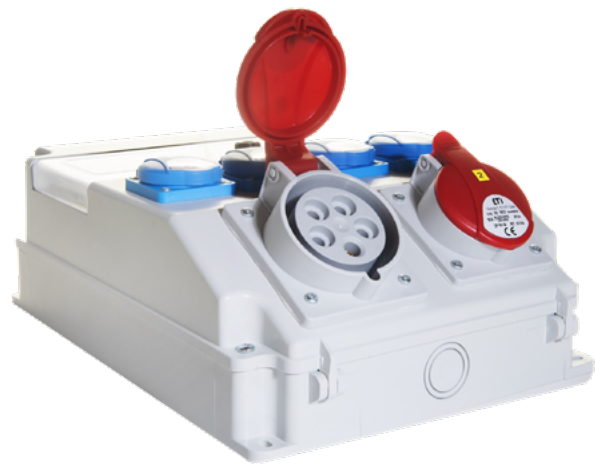
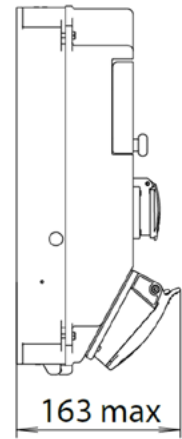
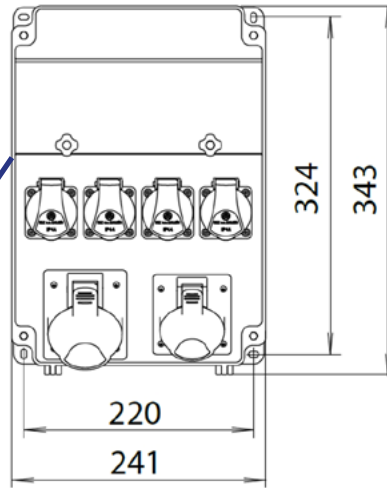
On request, it can be made with a 2m supply cable and a 16 or 32A 5p plug based on the switchboard rated current (variant /P).

Select of typical version with RCD, sockets 250V SCHUKO						Sockets 250V 2P+T	Sockets 400V (A)		MCB characteristic B (A)			MCB characteristic C (A)		
Order code	Name	Assembly	MCB char.	InA (A)	Production key		16	32	1x16	3x16	3x32	1x16	3x16	3x32
001105260	EDS11 RCD 4S/2 16/32 B		B	40	EDS11 RCD 4S/11/111/000	4	1	1	1	1	1			
001105261	EDS11 RCD 4S/2 16/32 B+C		B+C		EDS11 RCD 4S/11/100/011	4	1	1	1				1	1
001105262	EDS11 RCD 4S/2 16/32 C		C		EDS11 RCD 4S/11/000/111	4	1	1				1	1	1
001105263	EDS11 RCD 4S/2 16 B		B	40	EDS11 RCD 4S/20/120/000	4	2		1	2				
001105264	EDS11 RCD 4S/2 16 B+C		B+C		EDS11 RCD 4S/20/100/020	4	2		1				2	
001105265	EDS11 RCD 4S/2 16 C		C		EDS11 RCD 4S/20/000/120	4	2					1	2	
001105266	EDS11 RCD 4S/2 32 B		B	40	EDS11 RCD 4S/02/102/000	4		2	1		2			
001105267	EDS11 RCD 4S/2 32 B+C		B+C		EDS11 RCD 4S/02/100/002	4		2	1					2
001105268	EDS11 RCD 4S/2 32 C		C		EDS11 RCD 4S/02/000/102	4		2				1		2
001105269	EDS11 RCD 2S/3 16/32 B		B	40	EDS11 RCD 2S/21/111/000	2	2	1	1	1	1			
001105270	EDS11 RCD 2S/3 16/32 B+C		B+C		EDS11 RCD 2S/21/100/010	2	2	1	1				1	
001105271	EDS11 RCD 2S/3 16/32 C		C		EDS11 RCD 2S/21/000/111	2	2	1				1	1	1
001105272	EDS11 RCD 2S/3 32/16 B		B	40	EDS11 RCD 2S/12/111/000	2	1	2	1	1	1			
001105273	EDS11 RCD 2S/3 32/16 B+C		B+C		EDS11 RCD 2S/12/100/010	2	1	2	1				1	
001105274	EDS11 RCD 2S/3 32/16 C		C		EDS11 RCD 2S/12/000/111	2	1	2				1	1	1
001105275	EDS11 RCD 5S B		B	16	EDS11 RCD 5S/00/200/000	5			2					
001105276	EDS11 RCD 5S C		C		EDS11 RCD 5S/00/000/200	5						2		
001105277	EDS11 RCD 7S B		B	32	EDS11 RCD 7S/00/300/000	7			3					
001105278	EDS11 RCD 7S C		C		EDS11 RCD 7S/00/000/300	7						3		

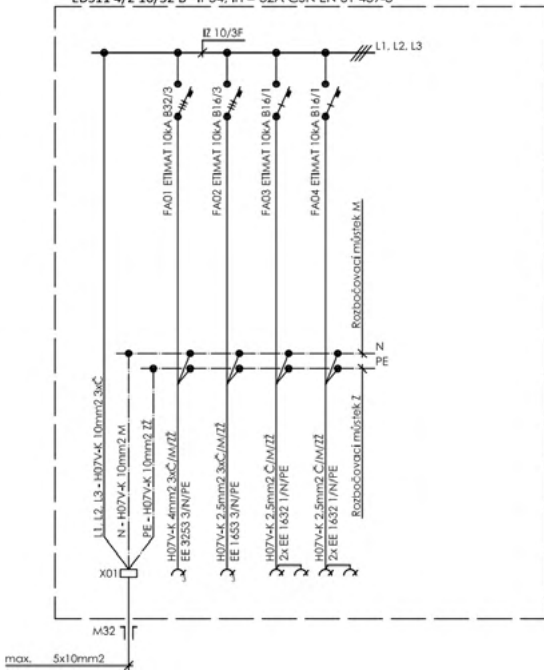
Select of typical version without RCD, sockets 250V SCHUKO						Sockets 250V 2P+T	Sockets 400V (A)		MCB characteristic B (A)			MCB characteristic C (A)		
Order code	Name	Assembly	MCB char.	InA (A)	Production key		16	32	1x16	3x16	3x32	1x16	3x16	3x32
001105303	EDS11 4S/2 16/32 B		B	32	EDS11 4S/11/211/000	4	1	1	2	1	1			
001105304	EDS11 4S/2 16/32 B+C		B+C		EDS11 4S/11/200/011	4	1	1	2				1	1
001105305	EDS11 4S/2 16/32 C		C		EDS11 4S/11/000/211	4	1	1				2	1	1
001105306	EDS11 4S/2 16 B		B	32	EDS11 4S/20/120/000	4	2		1	2				
001105307	EDS11 4S/2 16 B+C		B+C		EDS11 4S/20/100/020	4	2		1				2	
001105308	EDS11 4S/2 16 C		C		EDS11 4S/20/000/120	4	2					1	2	
001105309	EDS11 4S/2 32 B		B	40	EDS11 4S/02/102/000	4		2	1		2			
001105310	EDS11 4S/2 32 B+C		B+C		EDS11 4S/02/100/002	4		2	1					2
001105311	EDS11 4S/2 32 C		C		EDS11 4S/02/000/102	4		2				1		2
001105312	EDS11 2S/3 16/32 B		B	32	EDS11 2S/21/111/000	2	2	1	1	1	1			
001105313	EDS11 2S/3 16/32 B+C		B+C		EDS11 2S/21/100/010	2	2	1	1				1	
001105314	EDS11 2S/3 16/32 C		C		EDS11 2S/21/000/111	2	2	1				1	1	1
001105315	EDS11 2S/3 32/16 B		B	32	EDS11 2S/12/111/000	2	1	2	1	1	1			
001105316	EDS11 2S/3 32/16 B+C		B+C		EDS11 2S/12/100/010	2	1	2	1				1	
001105317	EDS11 2S/3 32/16 C		C		EDS11 2S/12/000/111	2	1	2				1	1	1
001105318	EDS11 5S B		B	32	EDS11 5S/00/200/000	5			2					
001105319	EDS11 5S C		C		EDS11 5S/00/000/200	5						2		
001105320	EDS11 7S B		B	32	EDS11 7S/00/300/000	7			3					
001105321	EDS11 7S C		C		EDS11 7S/00/000/300	7						3		

Select of typical version with RCD, sockets 250V with ground pin						Sockets 250V 2P+T	Sockets 400V (A)		MCB characteristic B (A)			MCB characteristic C (A)			
Ordercode	Name	Assembly	MCB char.	InA (A)	Production key		16	32	1x16	3x16	3x32	1x16	3x16	3x32	
001105415	EDS11 RCD 4/2 16/32 B		B	40	EDS11 RCD 4/11/111/000	4	1	1	1	1	1				
001105236	EDS11 RCD 4/2 16/32 B+C		B+C		EDS11 RCD 4/11/100/011	4	1	1	1				1	1	
001105237	EDS11 RCD 4/2 16/32 C		C		EDS11 RCD 4/11/000/111	4	1	1					1	1	1
001105238	EDS11 RCD 4/2 16 B		B	40	EDS11 RCD 4/20/120/000	4	2		1	2					
001105239	EDS11 RCD 4/2 16 B+C		B+C		EDS11 RCD 4/20/100/020	4	2		1				2		
001105240	EDS11 RCD 4/2 16 C		C		EDS11 RCD 4/20/000/120	4	2						1	2	
001105241	EDS11 RCD 4/2 32 B		B	40	EDS11 RCD 4/02/102/000	4		2	1		2				
001105242	EDS11 RCD 4/2 32 B+C		B+C		EDS11 RCD 4/02/100/002	4		2	1					2	
001105243	EDS11 RCD 4/2 32 C		C		EDS11 RCD 4/02/000/102	4		2					1		2
001105244	EDS11 RCD 2/3 16/32 B		B	40	EDS11 RCD 2/21/111/000	2	2	1	1	1	1				
001105245	EDS11 RCD 2/3 16/32 B+C		B+C		EDS11 RCD 2/21/100/010	2	2	1	1				1		
001105246	EDS11 RCD 2/3 16/32 C		C		EDS11 RCD 2/21/000/111	2	2	1					1	1	1
001105247	EDS11 RCD 2/3 32/16 B		B	40	EDS11 RCD 2/12/111/000	2	1	2	1	1	1				
001105248	EDS11 RCD 2/3 32/16 B+C		B+C		EDS11 RCD 2/12/100/010	2	1	2	1				1		
001105249	EDS11 RCD 2/3 32/16 C		C		EDS11 RCD 2/12/000/111	2	1	2					1	1	1
001105250	EDS11 RCD 5 B		B	16	EDS11 RCD 5/00/200/000	5			2						
001105251	EDS11 RCD 5 C		C		EDS11 RCD 5/00/000/200	5							2		
001105252	EDS11 RCD 7 B		B	32	EDS11 RCD 7/00/300/000	7			3						
001105253	EDS11 RCD 7 C		C		EDS11 RCD 7/00/000/300	7							3		
001105254	EDS11 RCD 0/4 16/32 B		B	40	EDS11 RCD 0/22/011/000		2	2		1	1				
001105255	EDS11 RCD 0/4 16/32 C		C		EDS11 RCD 0/22/000/011		2	2					1	1	
001105256	EDS11 RCD 0/4 16 B		B	40	EDS11 RCD 0/40/020/000		4			2					
001105257	EDS11 RCD 0/4 16 C		C		EDS11 RCD 0/40/000/020		4						2		
001105258	EDS11 RCD 0/4 32 B		B	40	EDS11 RCD 0/04/002/000			4			2				
001105259	EDS11 RCD 0/4 32 C		C		EDS11 RCD 0/04/000/002			4							2

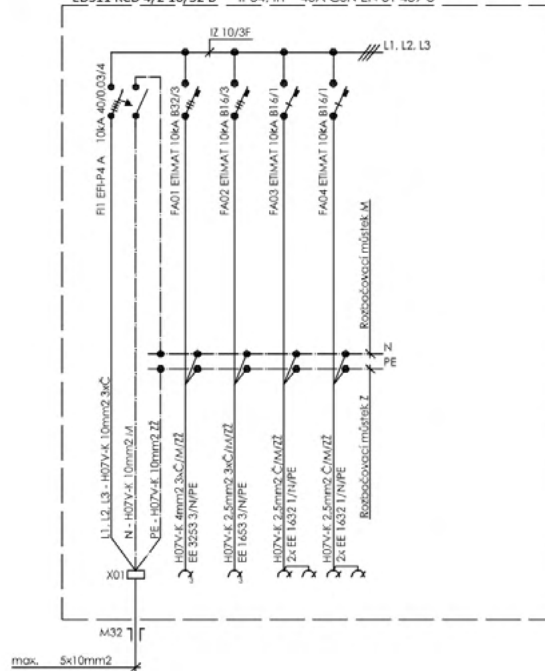
Select of typical version without RCD, sockets 250V with ground pin						Sockets 250V 2P+T	Sockets 400V (A)			MCB characteristic B (A)			MCB characteristic C (A)		
Ordercode	Name	Assembly	MCB char.	InA (A)	Production key		16	32	1x16	3x16	3x32	1x16	3x16	3x32	
001105414	EDS11 4/2 16/32 B		B	32	EDS11 4/11/211/000	4	1	1	2	1	1				
001105279	EDS11 4/2 16/32 B+C		B+C		EDS11 4/11/200/011	4	1	1	2				1	1	
001105280	EDS11 4/2 16/32 C		C		EDS11 4/11/000/211	4	1	1				2	1	1	
001105281	EDS11 4/2 16 B		B	32	EDS11 4/20/120/000	4	2		1	2					
001105282	EDS11 4/2 16 B+C		B+C		EDS11 4/20/100/020	4	2		1				2		
001105283	EDS11 4/2 16 C		C		EDS11 4/20/000/120	4	2					1	2		
001105284	EDS11 4/2 32 B		B	40	EDS11 4/02/102/000	4		2	1		2				
001105285	EDS11 4/2 32 B+C		B+C		EDS11 4/02/100/002	4		2	1					2	
001105286	EDS11 4/2 32 C		C		EDS11 4/02/000/102	4		2				1		2	
001105287	EDS11 2/3 16/32 B		B	32	EDS11 2/21/111/000	2	2	1	1	1	1				
001105288	EDS11 2/3 16/32 B+C		B+C		EDS11 2/21/100/010	2	2	1	1				1		
001105289	EDS11 2/3 16/32 C		C		EDS11 2/21/000/111	2	2	1				1	1	1	
001105290	EDS11 2/3 32/16 B		B	32	EDS11 2/12/111/000	2	1	2	1	1	1				
001105291	EDS11 2/3 32/16 B+C		B+C		EDS11 2/12/100/010	2	1	2	1				1		
001105292	EDS11 2/3 32/16 C		C		EDS11 2/12/000/111	2	1	2				1	1	1	
001105293	EDS11 5 B		B	32	EDS11 5/00/200/000	5			2						
001105294	EDS11 5 C		C		EDS11 5/00/000/200	5						2			
001105295	EDS11 7 B		B	32	EDS11 7/00/300/000	7			3						
001105296	EDS11 7 C		C		EDS11 7/00/000/300	7						3			
001105297	EDS11 0/4 16/32 B		B	32	EDS11 0/22/011/000		2	2		1	1				
001105298	EDS11 0/4 16/32 C		C		EDS11 0/22/000/011		2	2					1	1	
001105299	EDS11 0/4 16 B		B	32	EDS11 0/40/020/000		4			2					
001105300	EDS11 0/4 16 C		C		EDS11 0/40/000/020		4						2		
001105301	EDS11 0/4 32 B		B	40	EDS11 0/04/002/000			4			2				
001105302	EDS11 0/4 32 C		C		EDS11 0/04/000/002			4						2	



EDS11 4/2 16/32 B IP54, In = 32A ČSN EN 61 439-3



EDS11 RCD 4/2 16/32 B IP54, In = 40A ČSN EN 61 439-3



EDS16 socket assemblies

Complete enclosure with sockets, 10kA short-circuit resistant circuit breakers and, in the RCD version, an A-type protection.

Medium-sized enclosure size of 450x328x136mm, wall mounting using fixing holes on external corners of the enclosure.

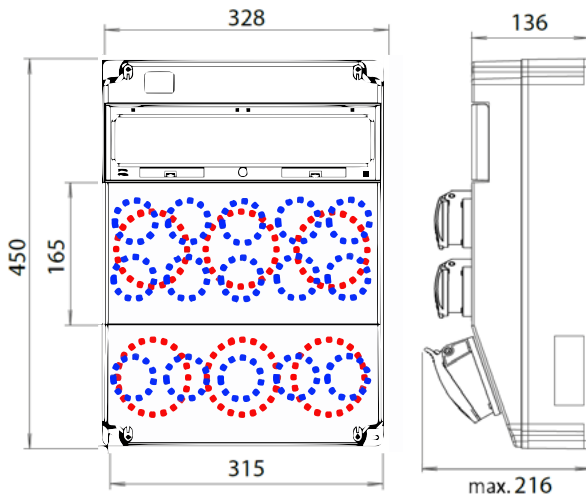
Fitted with 250V sockets with ground pin or SCHUKO. Five-pole CEE 400V sockets with 16A, 32A and 63A ratings

- Compliant to standard: **EN 61439-3**
- Mechanical resistance of the enclosure: **IK10**
- Protection level: **IP54 or IP66** depending on the sockets used
- Material: **ABS**
- Rated working voltage: **400VAC, 250VAC, 50/60Hz**
- Operating temperature: **-25°C to +55°C**

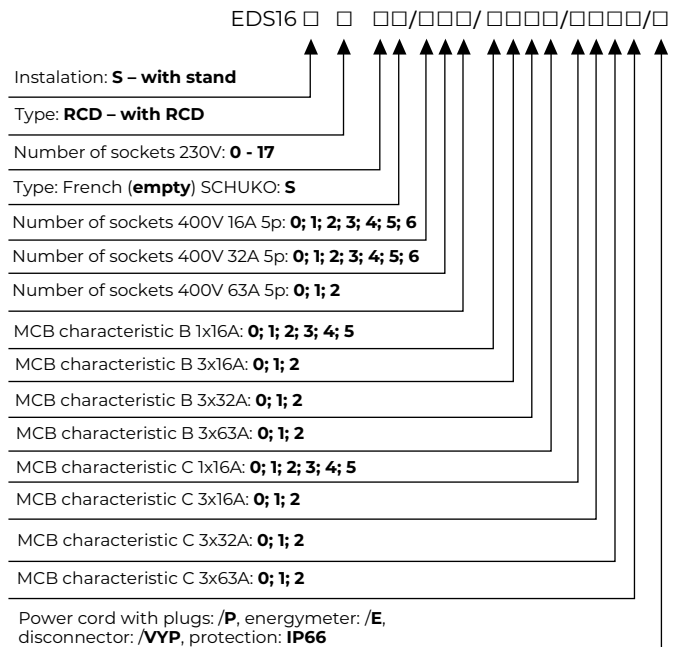


Preformed holes for cable glands:

on the top and bottom: 2x M40/M32 + 1x M50/M40/M32/M25
On the back side: 1x 23,5 - 52,5 mm



Example: EDS16S RCD 6 /210/3210/0000/



On request, it can be made with a 2m supply cable and a 16A, 32A or 63A 5p plug based on the switchboard rated current (variant /P).

Select of typical version with RCD, sockets 250V SCHUKO						Sockets 250V 2P+T	Sockets 400V (A)			MCB characteristic B (A)				MCB characteristic C (A)				
Order code	Name	Assembly	MCB char.	InA (A)	Production key		16	32	63	1x16	3x16	3x32	3x63	1x16	3x16	3x32	3x63	
001105361	EDS16 RCD 6S/3 16/32 B		B	63	EDS16 RCD 6S/210/3210/0000	6	2	1		3	2	1						
001105362	EDS16 RCD 6S/3 16/32 B+C		B+C		EDS16 RCD 6S/210/3000/0210	6	2	1		3					2	1		
001105363	EDS16 RCD 6S/3 16/32 C		C		EDS16 RCD 6S/210/0000/3210	6	2	1							3	2	1	
001105364	EDS16 RCD 6S/3 32S/16 B		B	63	EDS16 RCD 6S/120/3110/0000	6	1	2		3	1	1						
001105365	EDS16 RCD 6S/3 32S/16 B+C		B+C		EDS16 RCD 6S/120/3000/0110	6	1	2		3					1	1		
001105366	EDS16 RCD 6S/3 32S/16 C		C		EDS16 RCD 6S/120/0000/3110	6	1	2							3	1	1	
001105367	EDS16 RCD 4S/4 16/32 B		B	63	EDS16 RCD 4S/220/2110/0000	4	2	2		2	1	1						
001105368	EDS16 RCD 4S/4 16/32 B+C		B+C		EDS16 RCD 4S/220/2000/0110	4	2	2		2					1	1		
001105369	EDS16 RCD 4S/4 16/32 C		C		EDS16 RCD 4S/220/0000/2110	4	2	2							2	1	1	
001105370	EDS16 RCD 10S/3 16/32/63 B		B	63	EDS16 RCD 10S/111/3111/0000	10	1	1	1	3	1	1	1					
001105371	EDS16 RCD 10S/3 16/32/63 B+C		B+C		EDS16 RCD 10S/111/3000/0111	10	1	1	1	3					1	1	1	1
001105372	EDS16 RCD 10S/3 16/32/63 C		C		EDS16 RCD 10S/111/0000/3111	10	1	1	1						3	1	1	1
001105373	EDS16 RCD 10S/3 16/32 B		B	63	EDS16 RCD 10S/210/3110/0000	10	2	1		3	1	1						
001105374	EDS16 RCD 10S/3 16/32 B+C		B+C		EDS16 RCD 10S/210/3000/0110	10	2	1		3					1	1		
001105375	EDS16 RCD 10S/3 16/32 C		C		EDS16 RCD 10S/210/0000/5110	10	2	1							5	1	1	
001105376	EDS16 RCD 15S B		B	63	EDS16 RCD 15S/000/5000/0000	15				5								
001105377	EDS16 RCD 15S C		C		EDS16 RCD 15S/000/0000/5000	15									5			

Select of typical version with RCD, sockets 250V with ground pin						Sockets 250V 2P+T	Sockets 400V (A)			MCB characteristic B (A)				MCB characteristic C (A)				
Order code	Name	Assembly	MCB char.	InA (A)	Production key		16	32	63	1x16	3x16	3x32	3x63	1x16	3x16	3x32	3x63	
001105344	EDS16 RCD 6/3 16/32 B		B	63	EDS16 RCD 6/210/3110/0000	6	2	1		3	1	1						
001105345	EDS16 RCD 6/3 16/32 B+C		B+C		EDS16 RCD 6/210/3000/0110	6	2	1		3					1	1		
001105346	EDS16 RCD 6/3 16/32 C		C		EDS16 RCD 6/210/0000/3110	6	2	1							3	1	1	
001105347	EDS16 RCD 6/3 32/16 B		B	63	EDS16 RCD 6/120/3110/0000	6	1	2		3	1	1						
001105348	EDS16 RCD 6/3 32/16 B+C		B+C		EDS16 RCD 6/120/3000/0110	6	1	2		3					1	1		
001105349	EDS16 RCD 6/3 32/16 C		C		EDS16 RCD 6/120/0000/3110	6	1	2							3	1	1	
001105350	EDS16 RCD 4/4 16/32 B		B	63	EDS16 RCD 4/220/2110/0000	4	2	2		2	1	1						
001105351	EDS16 RCD 4/4 16/32 B+C		B+C		EDS16 RCD 4/220/2000/0110	4	2	2		2					1	1		
001105352	EDS16 RCD 4/4 16/32 C		C		EDS16 RCD 4/220/0000/2110	4	2	2							2	1	1	
001105353	EDS16 RCD 10/3 16/32/63 B		B	63	EDS16 RCD 10/111/3111/0000	10	1	1	1	3	1	1	1					
001105354	EDS16 RCD 10/3 16/32/63 B+C		B+C		EDS16 RCD 10/111/3000/0111	10	1	1	1	3					1	1	1	1
001105355	EDS16 RCD 10/3 16/32/63 C		C		EDS16 RCD 10/111/0000/3111	10	1	1	1						3	1	1	1
001105356	EDS16 RCD 10/3 16/32 B		B	63	EDS16 RCD 10/210/3110/0000	10	2	1		3	1	1						
001105357	EDS16 RCD 10/3 16/32 B+C		B+C		EDS16 RCD 10/210/3000/0110	10	2	1		3					1	1		
001105358	EDS16 RCD 10/3 16/32 C		C		EDS16 RCD 10/210/0000/5110	10	2	1							5	1	1	
001105359	EDS16 RCD 15 B		B	63	EDS16 RCD 15/000/5000/0000	15				5								
001105360	EDS16 RCD 15 C		C		EDS16 RCD 15/000/0000/5000	15									5			

Rack socket assemblies and site switchboards

The socket switchboards on a stand are available in two sizes. The small EDS11, and the large EDS16, with the addition of a site switchboard option. Both types offer the advantage of a cabinet with diagonally positioned sockets in the bottom row.

Rack socket assemblies **EDS11S**

Complete enclosure with sockets, circuit breakers, 10kA short-circuit resistant circuit breakers and, in the RCD version with A-type protection. Mounted on rack with dimensions 737x344x518mm.

Fitted with 250V sockets with ground pin or SCHUKO.

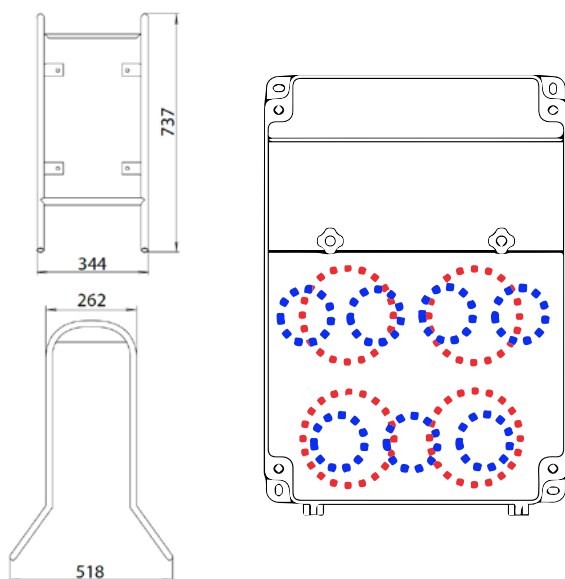
Five-pole CEE 400V sockets with 16A and 32A rating.

- Rated working voltage: 400VAC, 250VAC, 50/60Hz
- Compliant to standard: EN 61439-3
- Mechanical resistance of the enclosure: IK10
- Protection level: IP54
- Material: ABS
- Operating temperature: -25 to +55°C



Preformed holes for cable glands:

on the bottom and back side: 1x M25/M32



Example: EDS11 RCD 4 /11/111/0 0 0

EDS11 □ □ □ □ / □ □ / □ □ □ □ / □ □ □ □ / □

- Installation: **S** – with stand
- Type: **RCD** – with RCD
- Number of sockets 230V: **2; 3; 4; 5; 6; 7**
- Type: French (**empty**) SCHUKO: **S**
- Number of sockets 400V 16A 5p: **0; 1; 2; 3; 4**
- Number of sockets 400V 32A 5p: **0; 1; 2; 3; 4**
- MCB characteristic B 1x16A: **0; 1; 2; 3; 4**
- MCB characteristic B 3x16A: **0; 1; 2**
- MCB characteristic B 3x32A: **0; 1; 2**
- MCB characteristic C 1x16A: **0; 1; 2**
- MCB characteristic C 3x16A: **0; 1; 2**
- MCB characteristic C 3x32A: **0; 1; 2**
- Power cord with plugs: **/P**

On request, it can be made with a 2m supply cable and a 16 or 32A 5p plug based on the switchboard rated current (variant /P).



PARENT COMPANY
ETI d.o.o.
 Obrezija 5, 1411 Izlake
 Slovenia
 +386 3 56 57 570
 E-mail: eti@eti.si
www.etigroup.eu
www.eti.si

SUBSIDIARIES

ETI Proplast d.o.o.

Obrezija 5,
 1411 Izlake, Slovenia
 +386 3 56 57 590
etiproplast@eti.si
www.etiproplast.si

ETI DE GmbH

ETI Deutschland GmbH
 Schönbornstraße 4
 63741 Aschaffenburg
 Germany
 +49 6021 90159-0
contact@de.etigroup.eu
www.eti-de.de

ETI POLAM Sp.z.o.o.

Ul. Jana Pawła II 18,
 06100 Pułtusk, Poland
 +48 23 691 93 00
etipolam@etipolam.com.pl
www.etipolam.com.pl

ETI SARAJEVO d.o.o.

Hifzi Bjelevca 13,
 71 000 Sarajevo, BIH
 +387 33 77 52 50
etisa@bih.net.ba
www.eti.ba

ETI HU Elektrotechnikai

Rokolya utca 25,
 1131 Budapest, Hungary
 +36 1 238 0784
eti@eti-hu.hu
www.eti-hu.hu

ETI UKRAINE

Akademika Tupoleva 19,
 04128 Kiev, Ukraine
 +380 44 494 21 80
office@eti.ua
www.eti.ua

ETIBALTUS, UAB

Tilžes g. 41a, 47187
 Kaunas, Lithuania
 +370 37 261 582
info@etibaltus.lt
www.etibaltus.lt

ETI ROMANIA S.R.L.

Intrarea Binelui nr.1A
 (complexul de depozite
 Fortuna), sector 4, 042159
 București, România
 +40 (0)21 317 1743
eti.electrice@etigroup.ro
www.etigroup.ro

ETI Elektroelement s.r.o.

P3 Logistics Parks, Budova F,
 Paceařická 2773/1 19300
 Praha - Horní Počernice,
 Czech Republic
 +420 226 203 490
www.etielektroelement.cz

ETI B

Zvečanska 56/17,
 11000 Beograd, Serbia
 +381 11 3691 092
miodrag.stojkovic@etib.rs
www.etib.rs

ETI Zagreb

Trpanjska 7,
 10000 Zagreb, Croatia
 +38518896814
kristijan.vlasic@etigroup.hr

ASSOCIATED COMPANIES

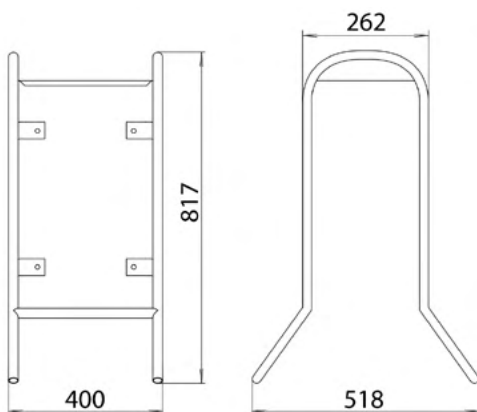
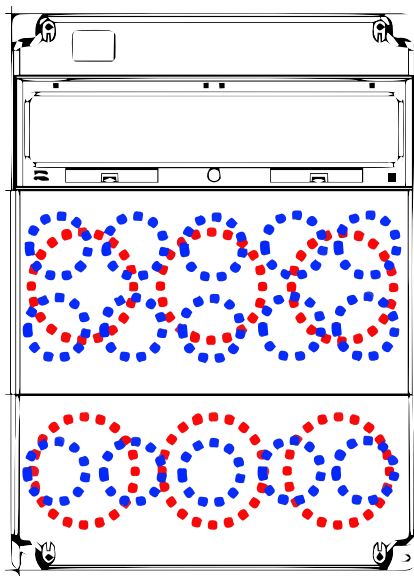
ITALWEBER S.p.A.

Via Risorgimento 84,
 20017 Rho, Milano, Italy
 +39 02 939 771
info@italweber.it
www.italweber.it

Rack socket assemblies and site switchboards

Site socket switchboards with lockable 63A switch, and rack assemblies without switch. 250V sockets in the top and middle row. In the lower angled part, there are 400V sockets.

- Socket boxes made of highly resistant ABS material with extra thick walls (4mm), IK10
- Self-extinguishing material: 650°C - resistant to overheating and flame
- Protection level IP54 and IP66 available depending on the sockets used
- Preformed holes for glands M25, M32, M40, M50
- M40 gland included
- Connection to terminal strip for cables up to 5x25mm²
- Metal rack with canopy
- Based on your individual requirements, it is possible to make a custom configuration within the limits set by the enclosure



Example: EDS16S RCD 6 /210/3210/0000/

EDS16 □ □ □□/□□□□/□□□□/□□□□/□

- Installation: **S** - with stand
- Type: **RCD** - with RCD
- Number of sockets 230V: **0** - 17
- Type: French (**empty**) SCHUKO: **S**
- Number of sockets 400V 16A 5p: **0; 1; 2; 3; 4; 5; 6**
- Number of sockets 400V 32A 5p: **0; 1; 2; 3; 4; 5; 6**
- Number of sockets 400V 63A 5p: **0; 1; 2**
- MCB characteristic B 1x16A: **0; 1; 2; 3; 4; 5**
- MCB characteristic B 3x16A: **0; 1; 2**
- MCB characteristic B 3x32A: **0; 1; 2**
- MCB characteristic B 3x63A: **0; 1; 2**
- MCB characteristic C 1x16A: **0; 1; 2; 3; 4; 5**
- MCB characteristic C 3x16A: **0; 1; 2**
- MCB characteristic C 3x32A: **0; 1; 2**
- MCB characteristic C 3x63A: **0; 1; 2**
- Power cord with plugs: **/P**, energymeter: **/E**, disconnecter: **/VYP**, protection: **IP66**



Site switchboard EDS16S RCD

4S/3 16/32/VYP C 430 with 63A main switch in lockable design.

Protection level: IP66

Order code: 004483460

Site switchboard, sockets 250V SCHUKO						Sockets 250V 2P+T	Sockets 400V (A)			MCB characteristic B (A)				MCB characteristic C (A)				
Order code	Name	Assembly	MCB char.	InA (A)	Production key		16	32	63	1x16	3x16	3x32	3x63	1x16	3x16	3x32	3x63	
004483458	EDS16S RCD 4S/3 16/32/VYP B IP66		B	63	EDS16S RCD 4S/210/2210/0000/VYP/IP66	4	2	1		2	2	1						
004483459	EDS16S RCD 4S/3 16/32/VYP B+C IP66		B+C		EDS16S RCD 4S/210/2000/0210/VYP/IP66	4	2	1		2					2	1		
004483460	EDS16S RCD 4S/3 16/32/VYP C IP66		C		EDS16S RCD 4S/210/0000/2210/VYP/IP66	4	2	1							2	2	1	

Site switchboard with switch and supply cable 2m, SCHUKO						Sockets 250V 2P+T	Sockets 400V (A)			MCB characteristic B (A)				MCB characteristic C (A)				
Order code	Name	Assembly	MCB char.	InA (A)	Production key		16	32	63	1x16	3x16	3x32	3x63	1x16	3x16	3x32	3x63	
004483461	EDS16S RCD 4S/3 16/32/VYP/P B IP66		B	32	EDS16S RCD 4S/210/2210/0000/VYP/P/IP66	4	2	1		2	2	1						
004483462	EDS16S RCD 4S/3 16/32/VYP/P B+C IP66		B+C		EDS16S RCD 4S/210/2000/0210/VYP/P/IP66	4	2	1		2					2	1		
004483463	EDS16S RCD 4S/3 16/32/VYP/P C IP66		C		EDS16S RCD 4S/210/0000/2210/VYP/P/IP66	4	2	1							2	2	1	

Site switchboard with switch and energy counters, SCHUKO						Sockets 250V 2P+T	Sockets 400V (A)			MCB characteristic B (A)				MCB characteristic C (A)				
Order code	Name	Assembly	MCB char.	InA (A)	Production key		16	32	63	1x16	3x16	3x32	3x63	1x16	3x16	3x32	3x63	
004483464	EDS16S RCD 4S/3 16/32/VYP/E B IP66		B	63	EDS16S RCD 4S/210/2110/0000/VYP/E/IP66	4	2	1		2	1	1						
004483465	EDS16S RCD 4S/3 16/32/VYP/E B+C IP66		B+C		EDS16S RCD 4S/210/2000/0110/VYP/E/IP66	4	2	1		2					1	1		
004483466	EDS16S RCD 4S/3 16/32/VYP/E C IP66		C		EDS16S RCD 4S/210/0000/2110/VYP/E/IP66	4	2	1							2	1	1	

Site switchboard with switch, supply cable 2m and energy counters, SCHUKO						Sockets 250V 2P+T	Sockets 400V (A)			MCB characteristic B (A)				MCB characteristic C (A)				
Order code	Name	Assembly	MCB char.	InA (A)	Production key		16	32	63	1x16	3x16	3x32	3x63	1x16	3x16	3x32	3x63	
004483467	EDS16S RCD 4S/3 16/32/VYP/P/E B IP66		B	32	EDS16S RCD 4S/210/2110/0000/VYP/P/E/IP66	4	2	1		2	1	1						
004483468	EDS16S RCD 4S/3 16/32/VYP/P/E B+C IP66		B+C		EDS16S RCD 4S/210/2000/0110/VYP/P/E/IP66	4	2	1		2					1	1		
004483469	EDS16S RCD 4S/3 16/32/VYP/P/E C IP66		C		EDS16S RCD 4S/210/0000/2110/VYP/P/E/IP66	4	2	1							2	1	1	

Site switchboard, sockets 250V with ground pin						Sockets 250V 2P+T	Sockets 400V (A)			MCB characteristic B (A)				MCB characteristic C (A)				
Order code	Name	Assembly	MCB char.	InA (A)	Production key		16	32	63	1x16	3x16	3x32	3x63	1x16	3x16	3x32	3x63	
004483430	EDS16S RCD 4/3 16/32/VYP B IP66		B	63	EDS16S RCD 4/210/2210/0000/VYP/IP66	4	2	1		2	2	1						
004483447	EDS16S RCD 4/3 16/32/VYP B+C IP66		B+C		EDS16S RCD 4/210/2000/0210/VYP/IP66	4	2	1		2					2	1		
004483448	EDS16S RCD 4/3 16/32/VYP C IP66		C		EDS16S RCD 4/210/0000/2210/VYP/IP66	4	2	1							2	2	1	

Site switchboard with switch and supply cable 2m, ground pin						Sockets 250V 2P+T	Sockets 400V (A)			MCB characteristic B (A)				MCB characteristic C (A)				
Order code	Name	Assembly	MCB char.	InA (A)	Production key		16	32	63	1x16	3x16	3x32	3x63	1x16	3x16	3x32	3x63	
004483449	EDS16S RCD 4/3 16/32/VYP/P B IP66		B	32	EDS16S RCD 4/210/2210/0000/VYP/P/IP66	4	2	1		2	2	1						
004483450	EDS16S RCD 4/3 16/32/VYP/P B+C IP66		B+C		EDS16S RCD 4/210/2000/0210/VYP/P/IP66	4	2	1		2					2	1		
004483451	EDS16S RCD 4/3 16/32/VYP/P C IP66		C		EDS16S RCD 4/210/0000/2210/VYP/P/IP66	4	2	1							2	2	1	

Site switchboard with switch and energy counters, ground pin						Sockets 250V 2P+T	Sockets 400V (A)			MCB characteristic B (A)				MCB characteristic C (A)				
Order code	Name	Assembly	MCB char.	InA (A)	Production key		16	32	63	1x16	3x16	3x32	3x63	1x16	3x16	3x32	3x63	
004483452	EDS16S RCD 4/3 16/32/VYP/E B IP66		B	63	EDS16S RCD 4/210/2110/0000/VYP/E/IP66	4	2	1		2	1	1						
004483453	EDS16S RCD 4/3 16/32/VYP/E B+C IP66		B+C		EDS16S RCD 4/210/2000/0110/VYP/E/IP66	4	2	1		2					1	1		
004483454	EDS16S RCD 4/3 16/32/VYP/E C IP66		C		EDS16S RCD 4/210/0000/2110/VYP/E/IP66	4	2	1							2	1	1	

With switch, supply cable 2m and energy counters, ground pin						Sockets 250V 2P+T	Sockets 400V (A)			MCB characteristic B (A)				MCB characteristic C (A)				
Order code	Name	Assembly	MCB char.	InA (A)	Production key		16	32	63	1x16	3x16	3x32	3x63	1x16	3x16	3x32	3x63	
004483455	EDS16S RCD 4/3 16/32/VYP/P/E B IP66		B	32	EDS16S RCD 4S/210/2110/0000/VYP/P/E/IP66	4	2	1		2	1	1						
004483456	EDS16S RCD 4/3 16/32/VYP/P/E B+C IP66		B+C		EDS16S RCD 4S/210/2000/0110/VYP/P/E/IP66	4	2	1		2					1	1		
004483457	EDS16S RCD 4/3 16/32/VYP/P/E C IP66		C		EDS16S RCD 4S/210/0000/2110/VYP/P/E/IP66	4	2	1							2	1	1	

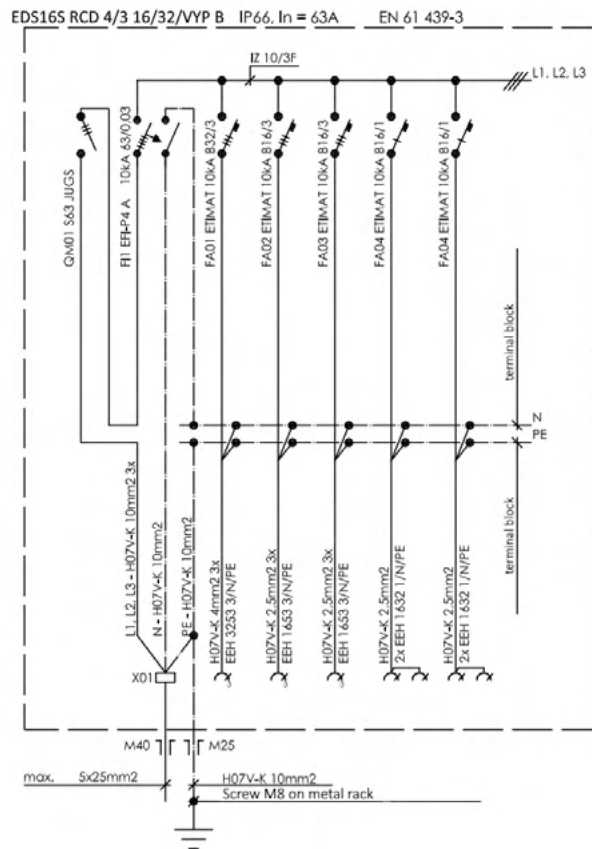
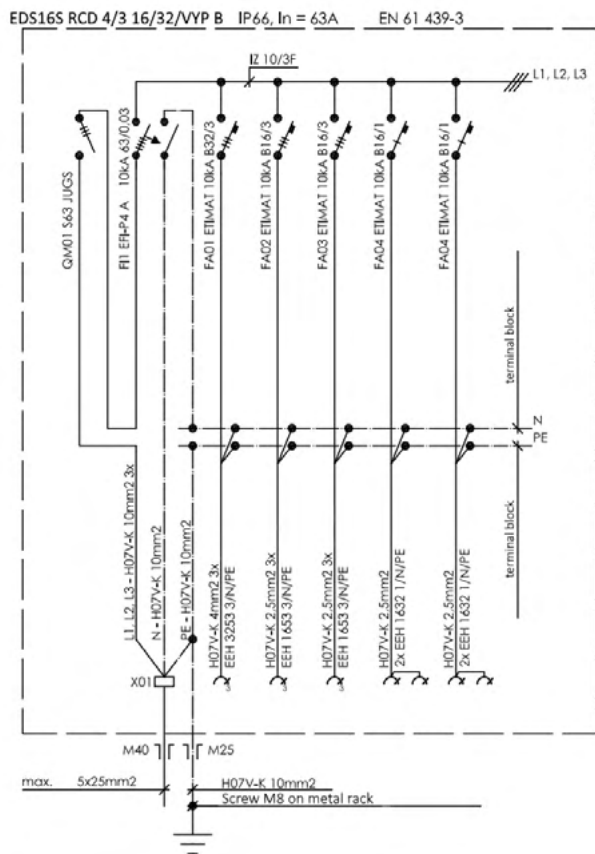
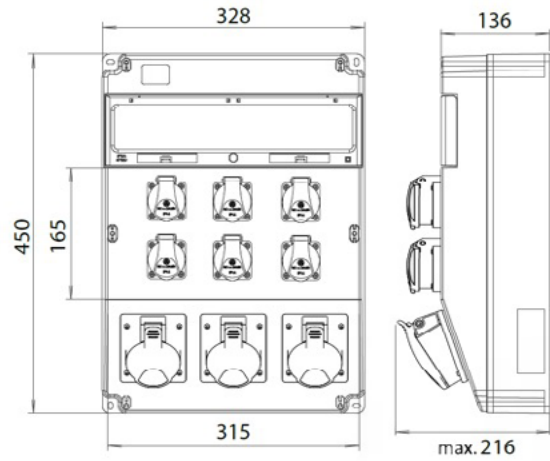
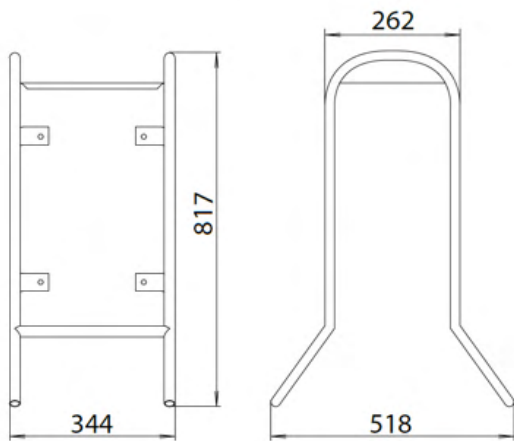


Rack socket assemblies EDS16S RCD
6S/3 16/32 C,
protection level: IP54

Order code: 004483441

Select of typical version with RCD, sockets 250V SCHUKO, with rack						Sockets 250V 2P+T	Sockets 400V (A)			MCB characteristic B (A)				MCB characteristic C (A)				
Order code	Name	Assembly	MCB char.	InA (A)	Production key		16	32	63	1x16	3x16	3x32	3x63	1x16	3x16	3x32	3x63	
004483439	EDS16SRCD 6S/3 16/32 B		B	63	EDS16S RCD 6S/210/3110/0000	6	2	1		3	1	1						
004483440	EDS16SRCD 6S/3 16/32 B+C		B+C		EDS16S RCD 6S/210/3000/0110	6	2	1		3					1	1		
004483441	EDS16SRCD 6S/3 16/32 C		C		EDS16S RCD 6S/210/0000/3110	6	2	1							3	1	1	
004483442	EDS16SRCD 10S/3 16/32/63 B		B	63	EDS16S RCD 10S/111/3111/0000	10	1	1	1	3	1	1	1					
004483443	EDS16SRCD 10S/3 16/32/63 B+C		B+C		EDS16S RCD 10S/111/3000/0111	10	1	1	1	3					1	1	1	1
004483444	EDS16SRCD 10S/3 16/32/63 C		C		EDS16S RCD 10S/111/0000/3111	10	1	1	1						3	1	1	1
004483445	EDS16SRCD 15SB		B	63	EDS16S RCD 15S/000/5000/0000	15				5								
004483446	EDS16SRCD 15SC		C		EDS16S RCD 15S/000/0000/5000	15									5			

Select of typical version with RCD, sockets 250V ground pin, with rack						Sockets 250V 2P+T	Sockets 400V (A)			MCB characteristic B (A)				MCB characteristic C (A)				
Order code	Name	Assembly	MCB char.	InA (A)	Production key		16	32	63	1x16	3x16	3x32	3x63	1x16	3x16	3x32	3x63	
004483431	EDS16SRCD 6/3 16/32 B		B	63	EDS16S RCD 6/210/3110/0000	6	2	1		3	1	1						
004483432	EDS16SRCD 6/3 16/32 B+C		B+C		EDS16S RCD 6/210/3000/0110	6	2	1		3					1	1		
004483433	EDS16SRCD 6/3 16/32 C		C		EDS16S RCD 6/210/0000/3110	6	2	1							3	1	1	
004483434	EDS16SRCD 10/3 16/32/63 B		B	63	EDS16S RCD 10/111/3111/0000	10	1	1	1	3	1	1	1					
004483435	EDS16SRCD 10/3 16/32/63 B+C		B+C		EDS16S RCD 10/111/3000/0111	10	1	1	1	3					1	1	1	1
004483436	EDS16SRCD 10/3 16/32/63 C		C		EDS16S RCD 10/111/0000/3111	10	1	1	1						3	1	1	1
004483437	EDS16SRCD 15 B		B	63	EDS16S RCD 15/000/5000/0000	15				5								
004483438	EDS16SRCD 15 C		C		EDS16S RCD 15/000/0000/5000	15									5			



Portable switchboard **RDS12SD** with holder

Switchboard with sockets in portable design with bracket for indoor and outdoor use on construction sites and in industrial areas with resistant cover against excessive heat and burning (hot wire test 650 °C).

- Dimensions **385x195x215mm** (h x w x d) with mechanical resistance of the enclosure: **IK08**
- Degree of protection: **IP44**
- Material: **ABS**
- Rated working voltage: **400VAC, 250VAC, 50Hz**
- Operating temperature: **-25°C to +55°C**



Select of typical version with RCD, sockets 250V SCHUKO						Sockets 250V 2P+T	Sockets 400V (A)		MCB characteristic B (A)			MCB characteristic C (A)		
Order code	Name	Assembly	MCB char.	InA (A)	Production key		16	32	1x16	3x16	3x32	1x16	3x16	3x32
004483475	EDS12SD RCD 4S/2 16/32/P B		B	32	EDS12SD RCD 4S/210/000/P	4	1	1	2	1				
004483476	EDS12SD RCD 4S/2 16/32/P B+C		B+C		EDS12SD RCD 4S/200/010/P	4	1	1	2				1	
004483477	EDS12SD RCD 4S/2 16/32/P C		C		EDS12SD RCD 4S/000/210/P	4	1	1					2	1
004483478	EDS12SD RCD 6S/P B		B	16	EDS12SD RCD 6S/300/000/P	6			3					
004483479	EDS12SD RCD 6S/P C		C		EDS12SD RCD 6S/000/300/P	6							3	

Select of typical version with RCD, sockets 250V with ground pin						Sockets 250V 2P+T	Sockets 400V (A)		MCB characteristic B (A)			MCB characteristic C (A)		
Order code	Name	Assembly	MCB char.	InA (A)	Production key		16	32	1x16	3x16	3x32	1x16	3x16	3x32
004483470	EDS12SD RCD 4/2 16/32/P B		B	32	EDS12SD RCD 4/210/000/P	4	1	1	2	1				
004483471	EDS12SD RCD 4/2 16/32/P B+C		B+C		EDS12SD RCD 4/200/010/P	4	1	1	2				1	
004483472	EDS12SD RCD 4/2 16/32/P C		C		EDS12SD RCD 4/000/210/P	4	1	1					2	1
004483473	EDS12SD RCD 6/P B		B	16	EDS12SD RCD 6/300/000/P	6			3					
004483474	EDS12SD RCD 6/P C		C		EDS12SD RCD 6/000/300/P	6							3	

RFVE PV switchboards

Protection of DC lines and inverters with a maximum voltage of 1000V from lightning strikes and PV panels from reverse currents.

These complete certified switchboards for PV power plants are designed for surface mounting. They include a two-pole fuse disconnecter including gPV DC fuses and surge arresters. Installation switch available as an option.

They are used for protection of 1 to 16 strings of PV panels. By series connection, you can achieve the required voltage for the input to the PV inverter.

All devices are mounted on a DIN rail and interconnected, thus saving time and ensuring ease of installation.

Select the type of arrester based on the lightning protection level (LPL) calculation. See standard CLC/TS 51643-32

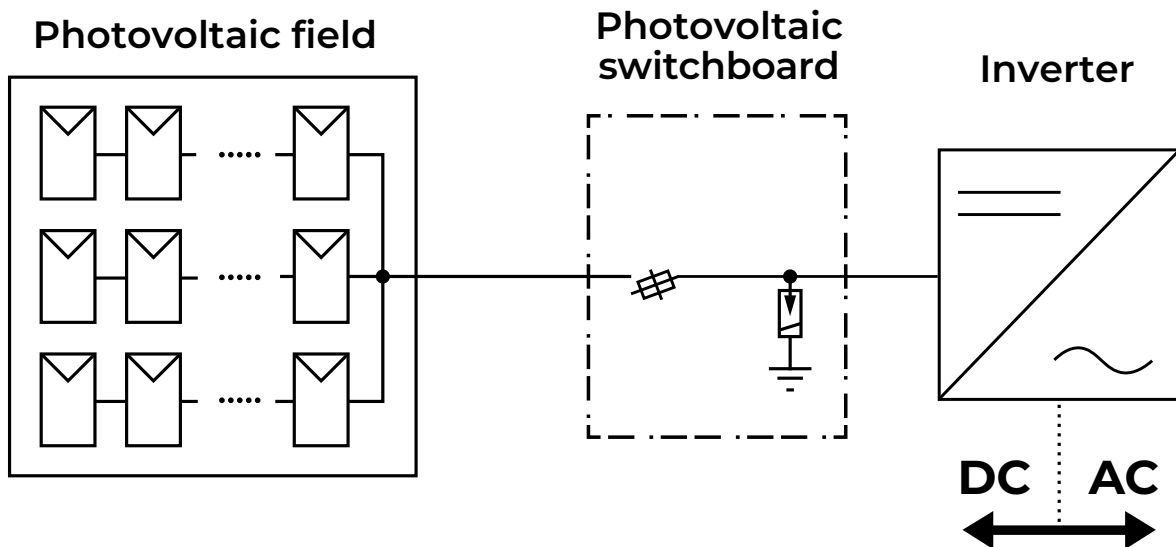
External lightning protection exist ?

YES

NO

Type	I total (10/350)
ETITEC EM T12 PV 1100/6,25 Y	6,25 kA
ETITEC M T12 PV 1100/12,5 Y	12,5 kA

Type	I total (8/20)
ETITEC EM T2 PV 1100/20 Y	40 kA
ETITEC M T2 PV 1100/20 Y	50 kA



Version with plastic enclosure **ECH**

Switchboard with protection class II, nominal operating voltage 400VAC/1500VDC

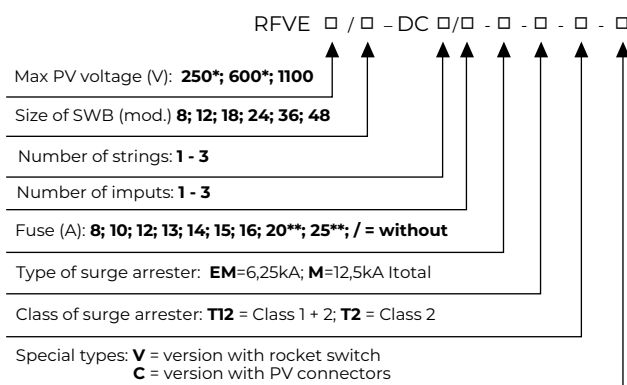
Simple enclosure design:

- 1 to 3 strings as per the needs of the specific project
- Surge arresters: T12 (1+2) or T2
- Fuse disconnectors including gPV fuses
- Possibility of connection via PV connectors or glands
- Versions with rotary switch (parameter V)



Type codes:

Example: RFVE1100/12-DC2/2-16-EMT12

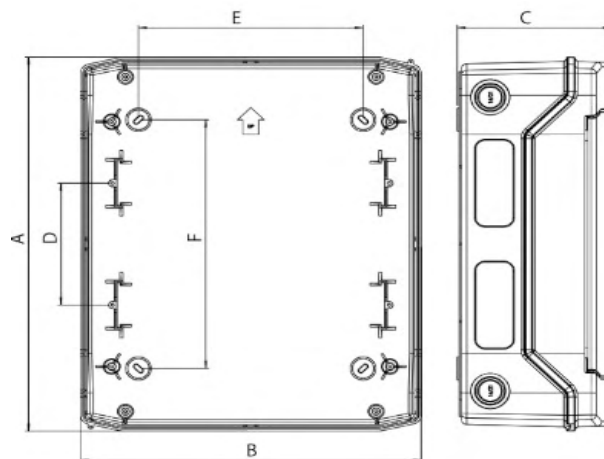


Size of board:

- 8 = for 1 string without switch
- 12 = for 2 strings with arrester without switch
- 18 = for 3 strings with arrester without switch

* 250V and 600V for SPD T2

** valid in agreement between producer and user for RDF = 0,8



Type	Dimensions (mm)					
	A	B	C	D	E	F
RFVEx/8	201	202	120	-	100	140
RFVEx/12	259	319	144	-	210	130
RFVEx/18	259	428	144	-	259	130
RFVEx/24	384	319	144	125	210	255

One string



Arrester Type 1 + Type 2

RFVE1100/8-DC1/1-16-EMT12

Order code: 001105400

1x Surge arrester T12 PV 1100/6.25 Y EM
1x Fuse disconnecter DC 2P
2x Fuse 10x38 gPV 16A/1000V
1x Terminal strip IP65, 8 modules

Type 2

RFVE1100/8-DC1/1-16-EMT2

Order code: 001105401

1x Surge arrester T2 PV 1100/20 Y EM
1x Fuse disconnecter DC 2P
2x Fuse 10x38 gPV 16A/1000V
1x terminal strip IP65, 8 modules

Two strings



RFVE1100/12-DC2/2-16 EMT12

Order code: 001105402

2x Surge arrester T12 PV 1100/6.25 Y EM
2x Fuse disconnecter DC 2P
4x Fuse 10x38 gPV 16A/1000V
1x Terminal strip IP65, 12 modules

RFVE1100/12-DC2/2-16-EMT2

Order code: 001105403

2x surge arrester T2 PV 1100/20 Y EM
2x fuse disconnecter DC 2P
4x fuse 10x38 gPV 16A/1000V
1x terminal strip IP65, 12 modules

Three strings



RFVE1100/18-DC3/3-16-EMT12

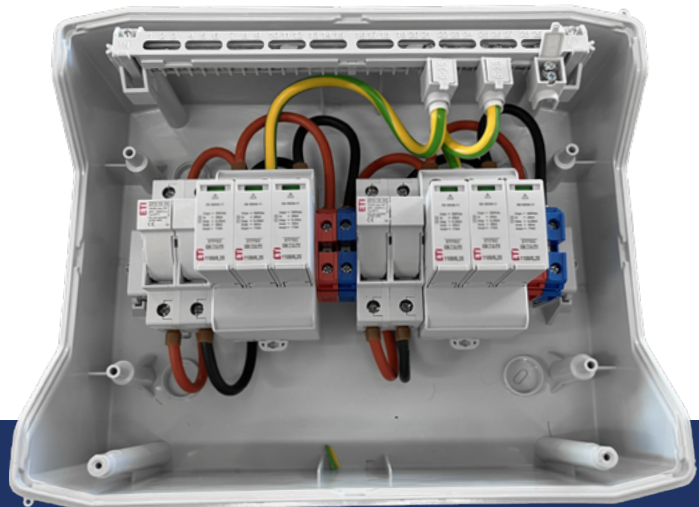
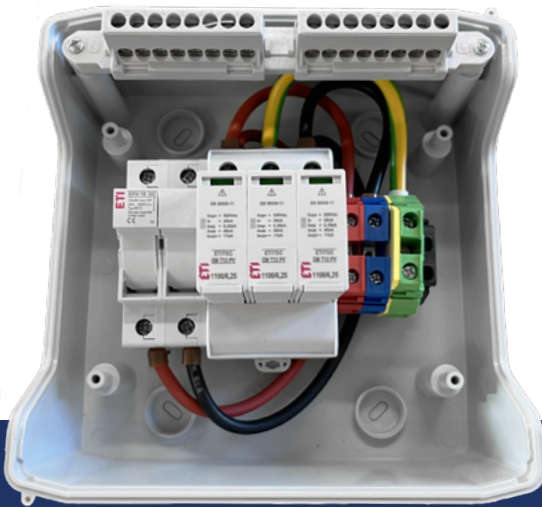
Order code: 001105481

3x surge arrester T12 PV 1100/6.25 Y EM
3x fuse disconnecter DC 2P
6x fuse 10x38 gPV 16A/1000V
1x terminal strip IP65, 18 modules

RFVE1100/18-DC3/3-16-EMT2

Order code: 001105480

3x surge arrester T2 PV 1100/20 Y EM
3x fuse disconnecter DC 2P
6x fuse 10x38 gPV 16A/1000V
1x terminal strip IP65, 18 modules



Version with polyester enclosure **EPC**

Double insulated terminal strip, protection class II,
rated operating voltage 1000VAC - 1500VDC

Perfect solution for outdoor installations and demanding environment - rain,
frost, pollution and chemicals.

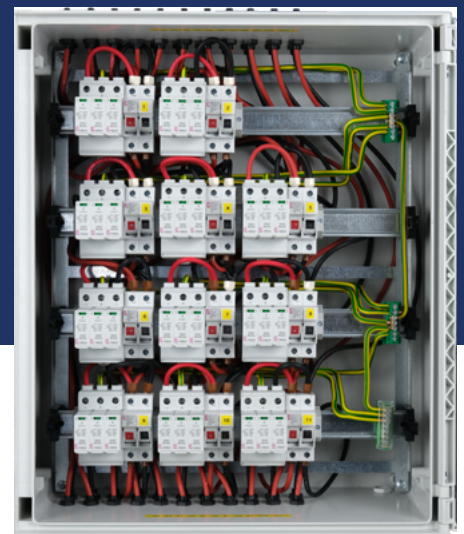
Thermosetting materials do not differ in structure nor are they deformed by climatic changes. They offer a much longer service life than metal enclosures. Fire resistant at 960°, flame retardant material, halogen-free. High mechanical resistance IK-10 for solid doors, IK-07 for doors with windows. **UV-stable material**, colour: RAL 7035. Made completely of non-metallic parts, zero risk of corrosion. IP66 protection, non-hygroscopic materials.

Flexible enclosure design:

- 4 to 16 strings as per the needs of the specific project
- Surge arresters: T12 (1+2) or T2
- Fuse disconnectors including gPV fuses
- Connection via PV connectors or glands

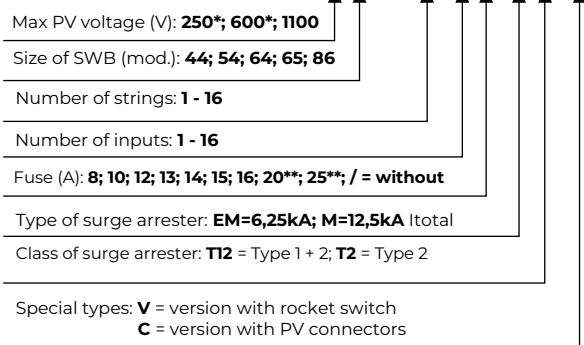
Protection:

- Inverters protected from lightning strikes and PV panels from reverse currents



Example: RFVE1100-65-DC11-11-16-EMT12-C

RFVE □-□-DC □-□-□ □ □ □



Size of board:

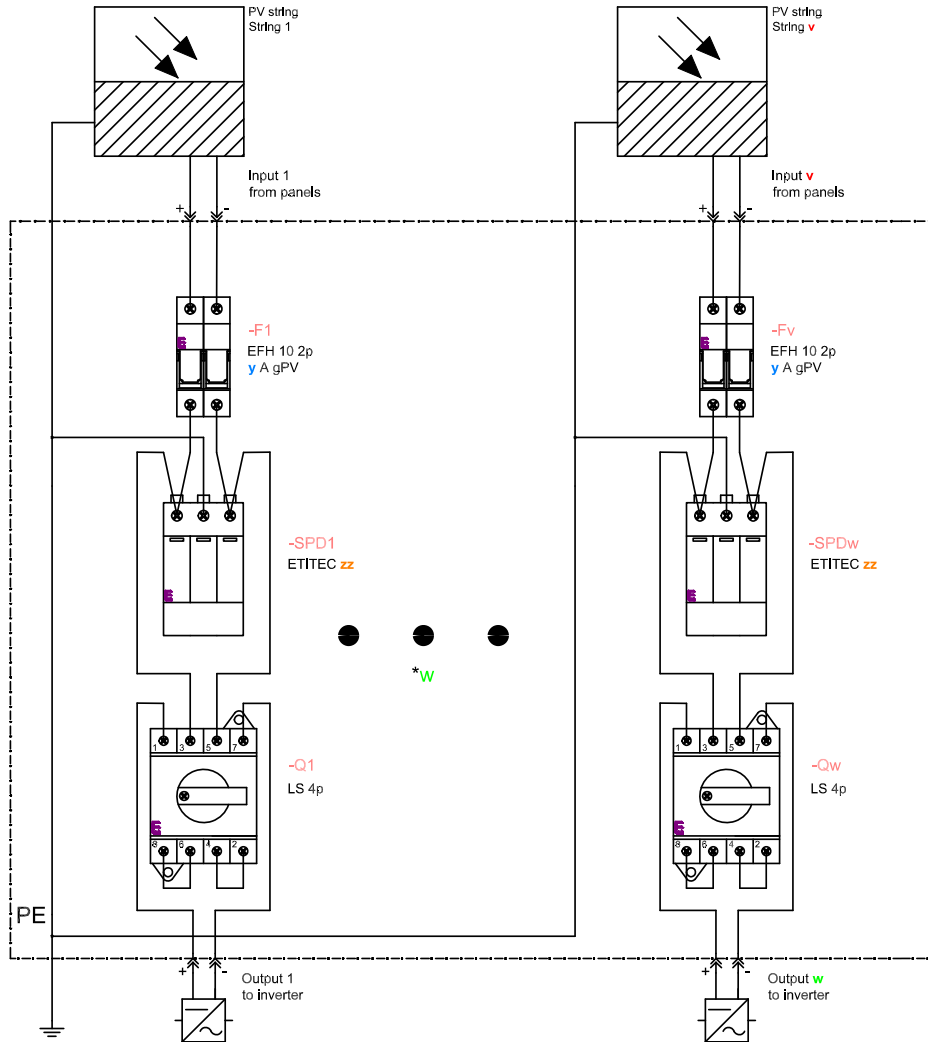
44 = for 1 - 6 strings without switch
54 = for 7 - 10 strings without switch
64 = for 11 - 12 strings without switch
65 = for 12 - 16 strings without switch

** 250V and 600V for SPD T2

** valid in agreement between producer **and user for RDF = 0,8

Properties	RFVExxx/ 44	RFVExxx/ 54	RFVExxx/ 64	RFVExxx/ 65	RFVExxx/ 86
Height (mm)	400	500	600	600	800
Width (mm)	400	400	400	500	600
Depth (mm)	200	200	230	230	300

Version with switch



- v = number of input circuits (strings)
- y = I_{nc} of a circuit (string)
- w = no. of parallel outputs / branches
- zz = production line of SPD: M / EM
SPD type: T12 / T2
(i.e.: MT2)

1: $U_{CPV} = 250/600V$ is possible only for SPD ETITEC M T2 (1100V for all other types)

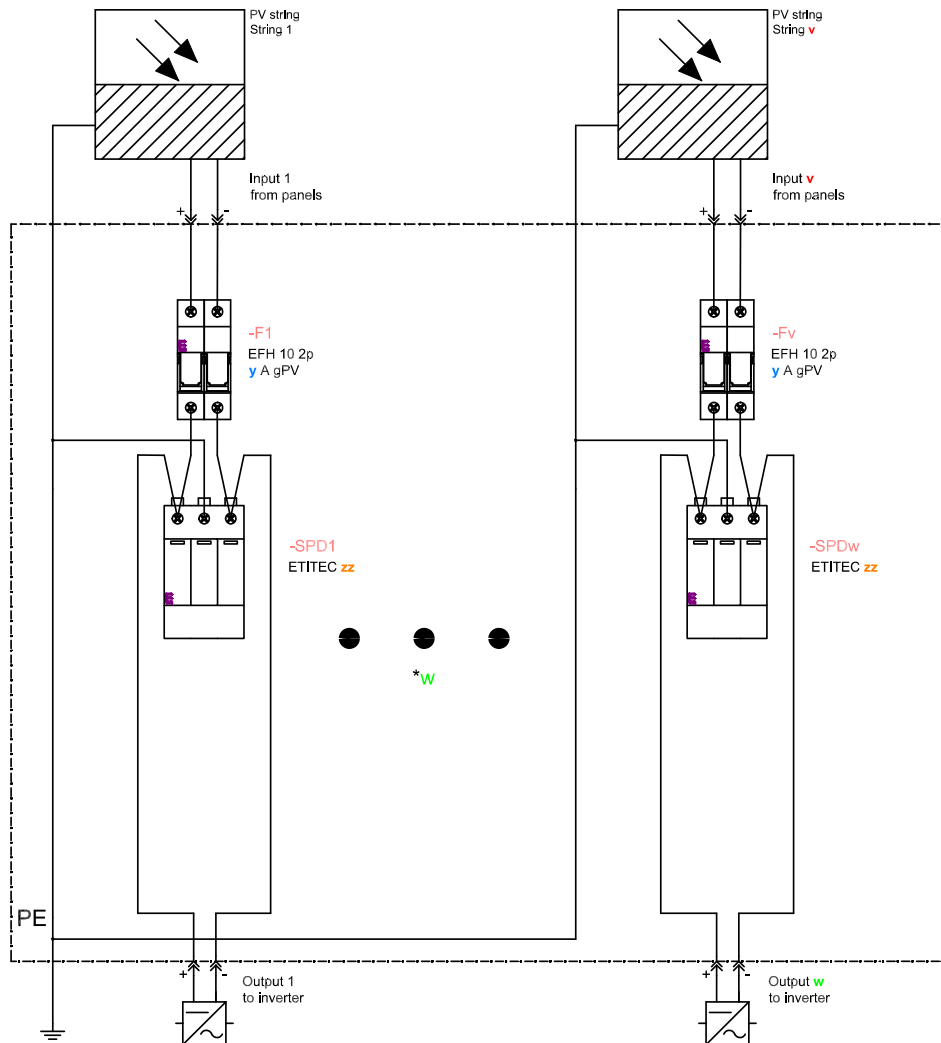
2: 20 and 25A fuses are possible only after agreement with a producer ($RDF \leq 0,8$)

= "C" connectors
 - without "C" the assembly contains cable glands

RFVEx/qW-DCv/w-y-zz-VC							
RFVE	x	q	v	w	y	zz	VC
Switchboard type	U_{CPV} (V DC)	Size of enclosure determining type	No. of strings	No. of outputs/branches	Fuse value (A)	SPD type	Special designation
- photovoltaic assembly	250 ¹⁾	8 / 12 / 16 / 24 / 36 / 48 = ECH	1 to 4 for ECH	1 to 4 for ECH	/ = without protection	EM / M	V = type with LS switch-disconnectors
	600 ¹⁾	44 / 54 / 64 / 66 / 86 = EPC	1 to 16 for EPC	1 to 16 for EPC	8 / 10 / 12 / 13 / 14 / 15 / 16 / 120 / 25	T12 / T2	C = type with PV connectors
	1100	W = EPC with window (opaque door = without W)				T2 = Type 2	

¹⁾ grey colored variables in the type key can't be applied to this schematic / enclosure
²⁾ 4 of the switch-disconnector B determined by a defined configuration (LS 1825/32A)

Version without switch



Universal schematic for PVAs RFVE
 - with fuse protection, configuration 1:1 (v:w), with
 - enclosures ECH and EPC

⁽¹⁾ $U_{CPV}=250/600/1100V$ DC, $I_{nA} = v*y$ A
 IP65/20 (ECH), IP66/00 (EPC)
 IK08 (ECH) / IK10 (EPC) / IK07 (EPCW)
 EN/IEC 61439-2 ed.3

Empty polyester **EPC** enclosures with DIN rail panel

Protection class II, rated operating voltage 1000VAC - 1500VDC

Perfect solution for outdoor installations and demanding environment - rain, frost, pollution and chemicals.

Thermosetting materials do not differ in structure nor are they deformed by climatic changes. They offer a much longer service life than metal enclosures.

Fire resistant at 960°, flame retardant material, halogen-free. High mechanical resistance IK-10 for solid doors, IK-07 for doors with windows. **UV-stable material**, colour: RAL 7035. Made completely of non-metallic parts, zero risk of corrosion. IP66 protection, non-hygroscopic materials.

Material: glass fibre reinforced polyester



EPC 40-30-20 + EPC-CHM-43

For cabinet and DIN rail panel assembly, order **EPC cabinet + CHM inner rail panel**

Order code	Enclosure type	Dimensions (mm)		Order code	Inner panel type	Number of modules with panel (total)	Numbers of row x modules in row
001102600	EPC 30-25-14	300x250x140	➔	001102673	EPC-CHM-325	20	2x10
001102601	EPC 40-30-20	400x300x200		001102674	EPC-CHM-43	24	2x12
001102602	EPC 40-40-20	400x400x200		001102675	EPC-CHM-44	36	2x18
001102603	EPC 50-40-20	500x400x200		001102676	EPC-CHM-54	54	3x18
001102604	EPC 60-40-23	600x400x230		001102677	EPC-CHM-64	72	4x18
001102605	EPC 60-50-23	600x500x230		001102678	EPC-CHM-65	96	4x24
001102606	EPC 80-30-23	800x300x230		001102679	EPC-CHM-83	70	5x14
001102607	EPC 80-60-30	800x600x300		001102680	EPC-CHM-86	145	5x29

Switchboard for backup circuit switching

RPO-H32-SM

Order code: 001105451

Intended for GOODWE GW8KL/10KL-ET; GW8K/10K-ET inverters

Device assembly:

Protection:

ETIMAT 3p B32 10kA, ETIMAT 3p B16 10kA, ETIMAT 1p B6 10kA, ETIMAT 3p C2 10kA

Enclosure:

protection class II, surface mounted, 48 modules, IP65 protection level

Other devices:

Monitoring relay HRN-55,

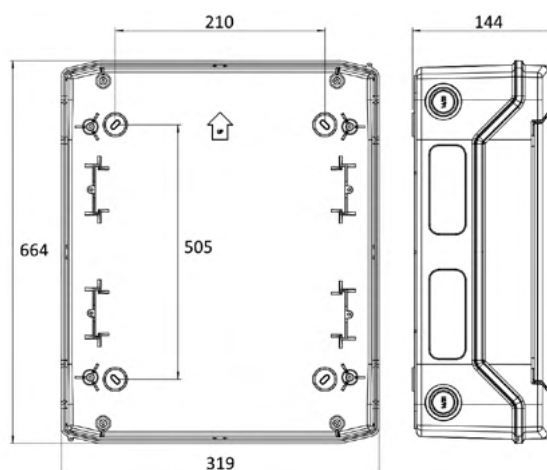
Switch SV 340 3p 40A,

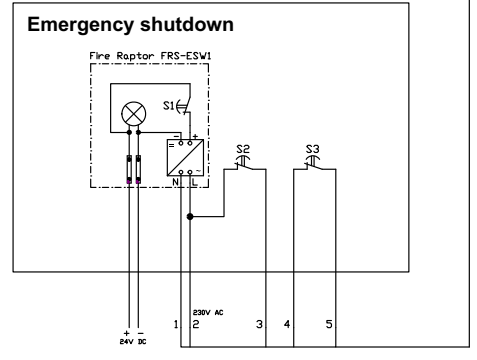
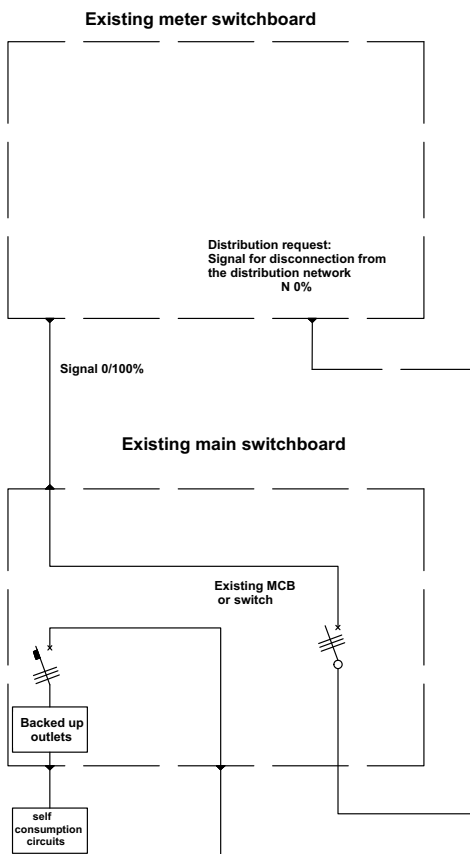
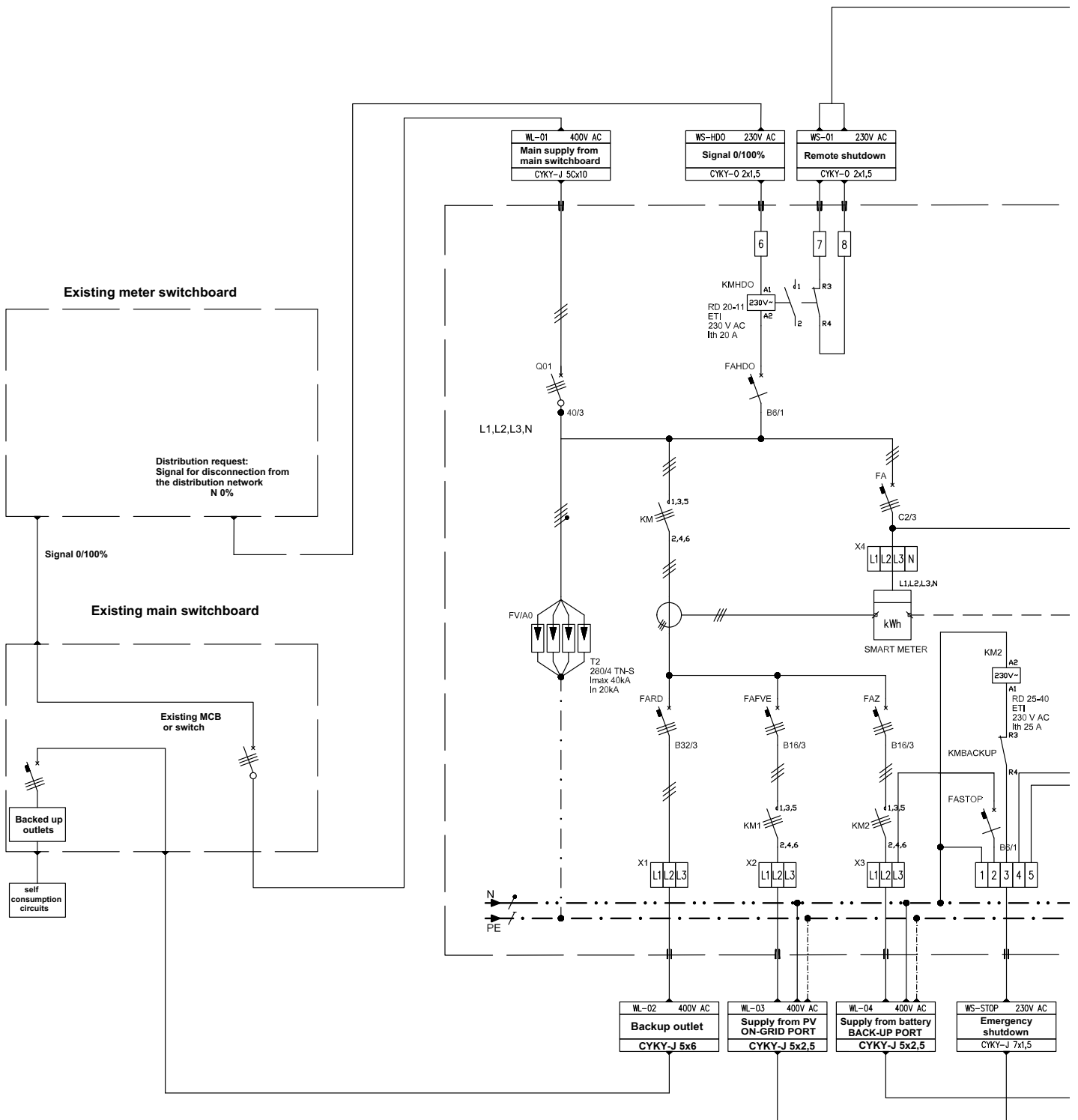
Surge arrester ETITEC C T2 275/20 4+0

prepared for smartmeter
(smartmeter not included)

Contactor:

RD 25-40-230V AC/DC, RD 20-11-230V AC/DC, RD 40-40-230V AC/DC





If the emergency shutdown is not used, terminals 2 and 3 must be connected. And 4 and 5. Do not connect all terminals together!

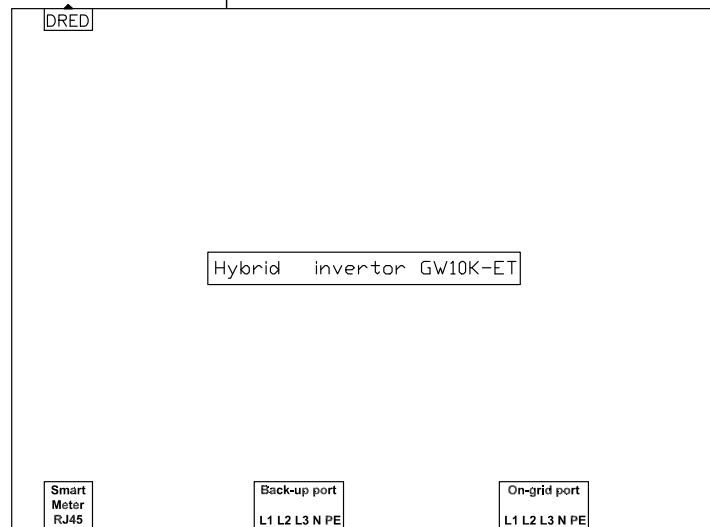
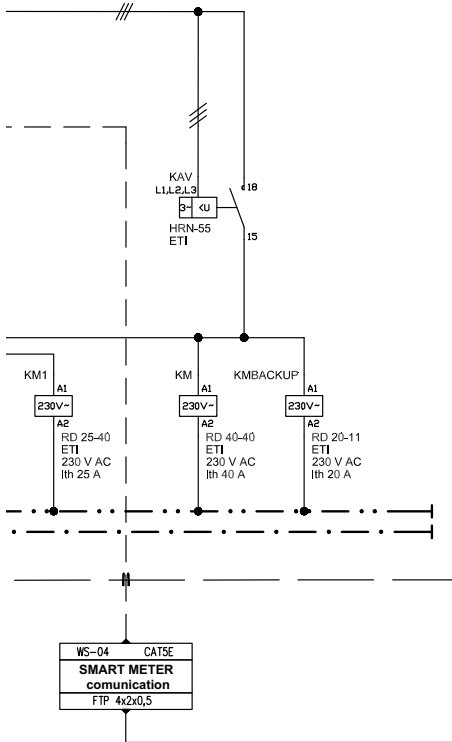
Protective bonding according to ČSN 33 2000-4-41 ed2 /HD 60364-4-41:2007
 - basic protection is ensured by basic insulation between live and inanimate parts
 - fault protection is provided by automatic disconnection from the power supply
 - supplementary protection is a supplementary protective connection, double insulated

Mount the devices in rows on DIN rails and cover with a type cover panel
Cover unoccupied positions in the cover panel with module plugs
Mark the instruments according to the documentation

RPO

3+N+PE, 3X 230/400V AC, 50Hz, TN-S,
 In=40A, IP 65/20C, ČSN EN 61439-3

Switchboard ECH-48PT, 48modules



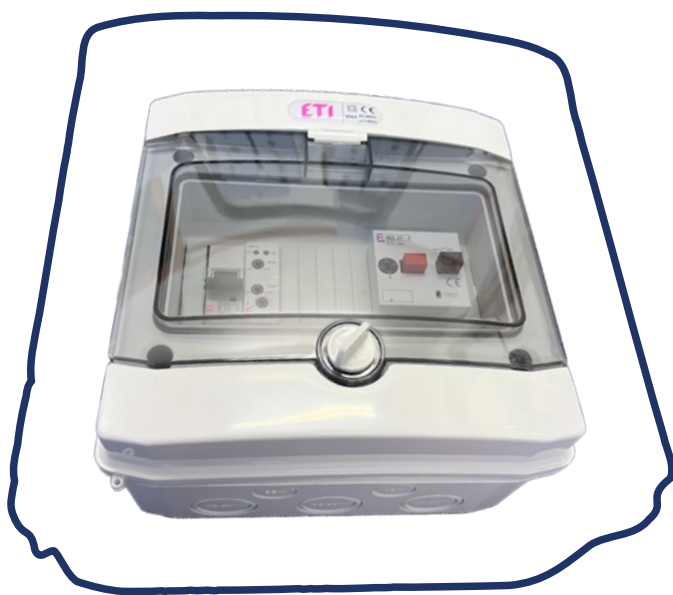
Switchboards for level and pressure monitoring **HRH-ECH** and **TPS-ECH**

Simply automate the operation of the pump wherever it is necessary to drain conductive liquids from the tank when the maximum level is reached.

- Automation of pump start-up in tanks with conductive liquid
- The set has MCB only for relay and contactor only. It is necessary to install a suitable circuit breaker for the pump
- The switchgear is UV-resistant, IP65.
- Choice of monitoring one or two levels
- Probes are not included - can be supplied.
- Supply voltage: 230V (50-60Hz)
- One or two level monitoring

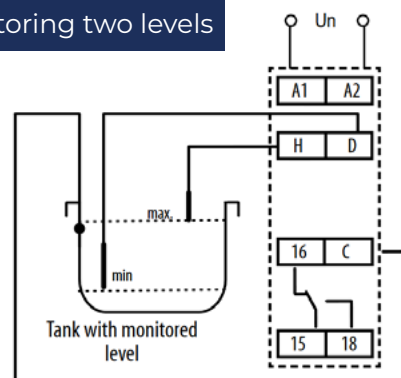
A set of switches for automatic operation of 1 and 3-phase pumps. In several versions. The contactor version does not load the relay with higher motor currents, the pump switching is done by a motor contactor with contacts rated for AC3 loads. Everything is prepared and wired in a plastic ECH switchboard with IP65 protection and transparent door.

Cable glands are included in the package.

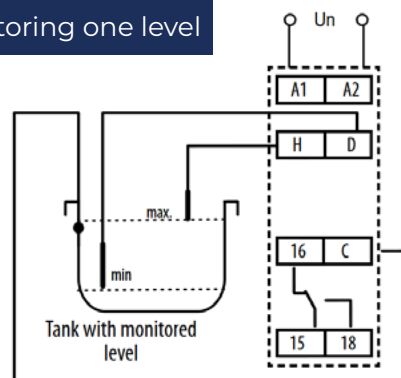


Principle of connection

Monitoring two levels



Monitoring one level

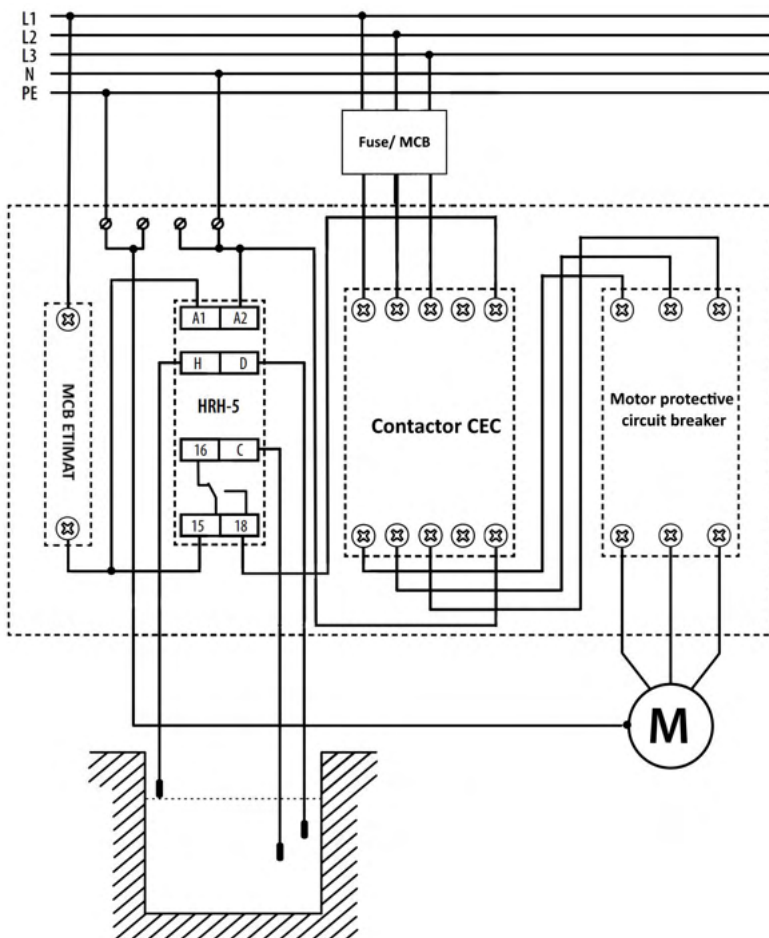
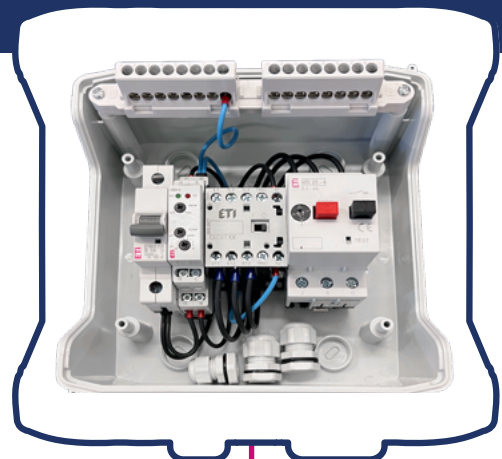


HRH-ECH-MS-CEC

Equipped level control switchboards HRH-ECH-MS-CEC with level switch, motor starter and contactor for 3-phase pumps in wall-mounted plastic ECH-8

- Motor starter with protection against overload and short-circuit protection, depending on motor power
- Circuit breaker short-circuit resistance 10kA
- Level relay HRH-5
- Contactor CEC 09 or CEC16.10-230V-50/60Hz

Order code	Name	Contactor	Motor current (A)	Motor power (kW)
004483610	TPS-ECH-MS2-CEC	CEC09	1,6-2,5	0,75
004483611	TPS-ECH-MS4-CEC		2,5-4	1,1-1,5
004483612	TPS-ECH-MS6-CEC		4-6,3	2,2-2,5
004483613	TPS-ECH-MS10-CEC	CEC016	6,3-10	3-4



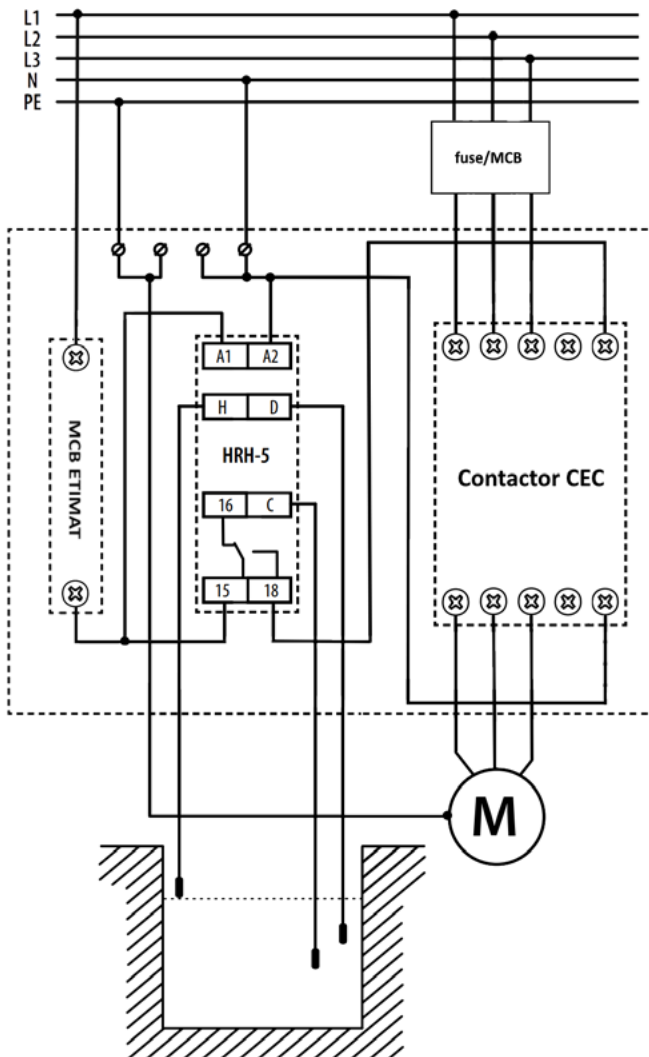
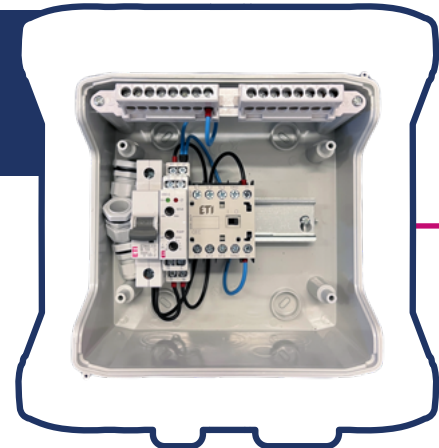
Can also be manufactured for other pump motor outputs on request

HRH-ECH-CEC

Equipped level control switchboards with level switch and contactor for 3-phase pumps in wall-mounted plastic ECH-8

- Circuit breaker short-circuit resistance 10kA
- Level relay HRH-5
- Contactor CEC 09 or CEC16.10-230V-50/60Hz

Order code	Name	Contactor	Motor current (A)	Motor power (kW)
004483608	HRH-ECH-CEC09	CEC09	6,3	2,5
004483609	HRH-ECH-CEC16	CEC016	16	5,5



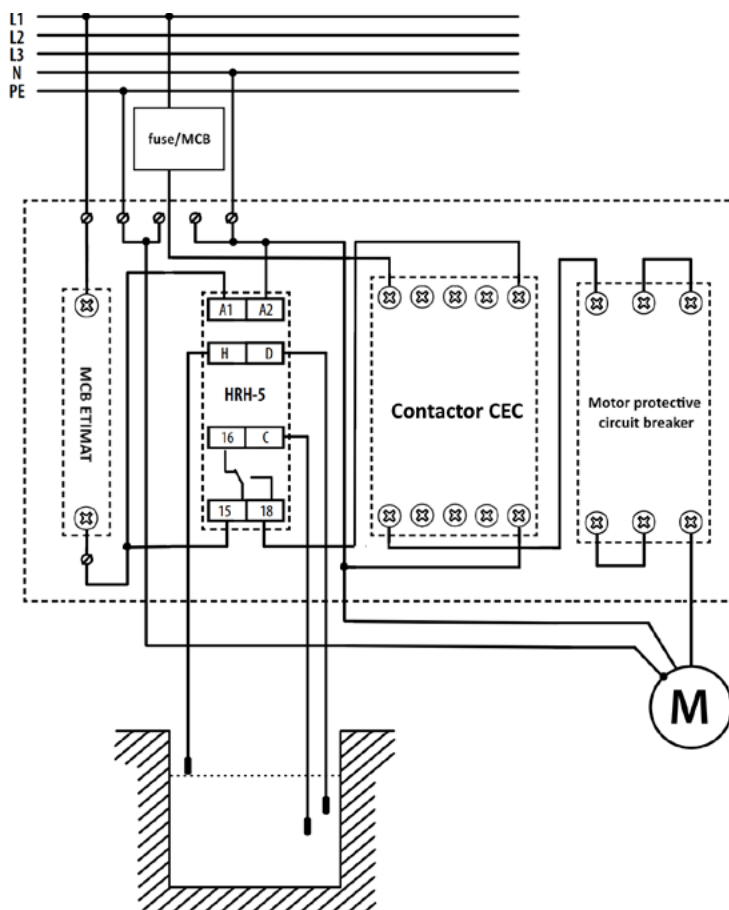
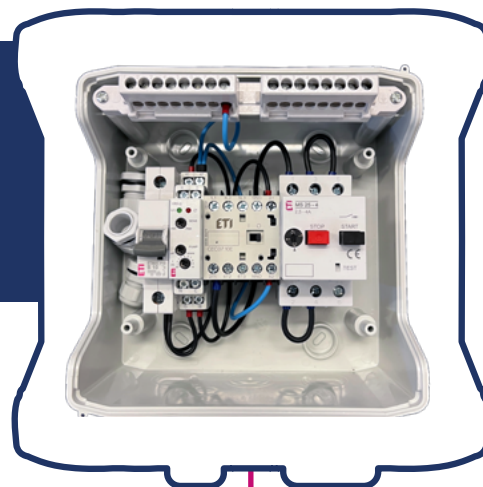
Can also be manufactured for other pump motor outputs on request

HRH-ECH-MS1F-CEC

Equipped level control switchboards with level switch, motor starter and contactor for 1-phase pumps in wall-mounted plastic ECH-8

- Circuit breaker short-circuit resistance 10kA
- Level relay HRH-5
- Contactor CEC 09 or CEC16.10-230V-50/60Hz
- Motor starter with protection against overload and short-circuit protection, depending on motor power

Order code	Name	Contactor	Motor current (A)	Motor power (kW)
004483604	HRH-ECH-MS41F-CEC	CEC09	2,5-4	0,37-0,55
004483605	HRH-ECH-MS61F-CEC		4-6,3	0,55-0,75
004483606	HRH-ECH-MS101F-CEC	CEC016	6,3-10	1,1-1,5
004483607	HRH-ECH-MS161F-CEC		10-16	2,2

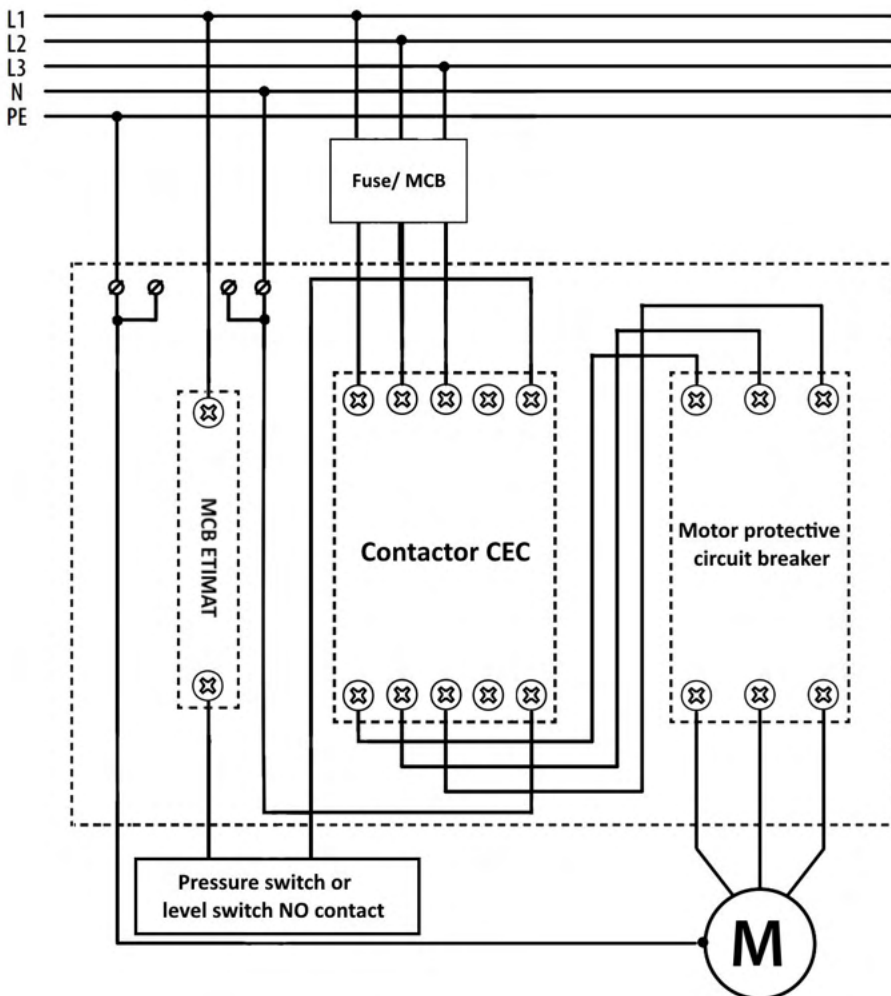
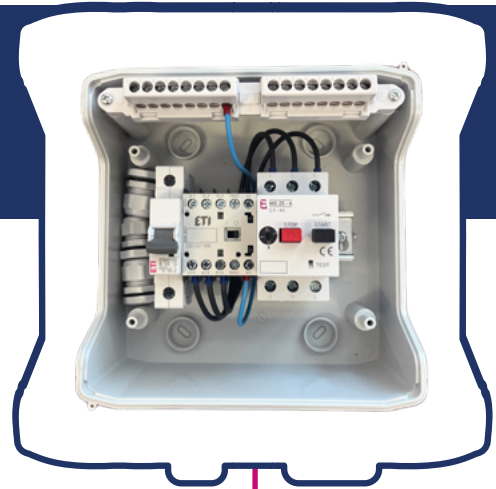


TPS-ECH-MS-CEC

Equipped switchgear for float and digital pressure switches, with level switch, motor starter and contactor for 3-phase pumps in wall-mounted plastic ECH-8

- Circuit breaker short-circuit resistance 10kA
- Contactor CEC 09 or CEC16.10-230V-50/60Hz
- Motor starter with protection against overload and short-circuit protection, depending on motor power

Order code	Name	Contactor	Motor current (A)	Motor power (kW)
004483610	TPS-ECH-MS2-CEC	CEC09	1,6-2,5	0,75
004483611	TPS-ECH-MS4-CEC		2,5-4	1,1-1,5
004483612	TPS-ECH-MS6-CEC		4-6,3	2,2-2,5
004483613	TPS-ECH-MS10-CEC	CEC016	6,3-10	3-4



Sensors for level control relay

Order code	Name	Description
002471205	SHR-1-M	<i>Brass sensor, without cable, $S_{max} = 2,5\text{mm}^2$, operating temperature (-25 to 60°C)</i>
002471709	SHR-1-N	<i>Stainless steel sensor, without cable, $S_{max} = 2,5\text{mm}^2$, operating temperature (-25 to 60°C)</i>
002471203	SHR-2	<i>Stainless steel sensor, without cable, $S_{max} = 2,5\text{mm}^2$, operating temperature (1 to 80°C), IP68</i>
002471230	SHR-3	<i>Stainless steel sensor, with 3m cable PVSC $2\times 0,75\text{mm}^2$, operating temperature < 95°C, IP67</i>



SHR-1-M



SHR-1-N



SHR-2



SHR-3
